

# TC-H2600/H3600

## SERVICE MANUAL



AEP Model  
UK Model  
E Model  
Australian Model  
TC-H2600  
TC-H3600  
US Model  
Canadian Model  
TC-H3600

This set is a deck block of the following models.  
MHC-2600 (TC-H2600: AEP, UK/  
TC-H3600: US, Canadian),  
FH-E737CD (TC-H2600: E, Australian),  
MHC-3600 (TC-H3600: AEP, UK, US, Canadian),  
FH-E838CD (TC-H3600: E, Australian).

|                                   |                |              |
|-----------------------------------|----------------|--------------|
| Model Name Using Similar Mecanism | TC-WR620/WR720 |              |
| Tape Transport Mechanism Type     | DECK A         | TCM-190RA12A |
|                                   | DECK B         | TCM-190RB22A |

### SPECIFICATIONS

Recording system 4-track 2-channel stereo  
Frequency response (DOLBY NR OFF)  
40 — 13,000 Hz ( $\pm 3$  dB),  
using TYPE I cassette  
(Sony HF-S)  
40 — 14,000 Hz ( $\pm 3$  dB),  
using TYPE II cassette  
40 — 15,000 Hz ( $\pm 3$  dB) using  
TYPE IV cassette  
Wow and flutter 0.1% WRMS  $\pm 0.3\%$  (DIN)  
Inputs  
PHONO (phono jacks):  
sensitivity 2.5 mV,  
impedance 47 kilohms  
DAT (phono jacks):  
sensitivity 450 mV,  
impedance 47 kilohms  
VIDEO (phono jacks) (H3600 Model):  
sensitivity 300 mV,  
impedance 47 kilohms

Dolby noise reduction manufactured under license from  
Dolby Laboratories Licensing Corporation.  
"DOLBY" and the double-D symbol  $\square\square$  are trademarks of  
Dolby Laboratories Licensing Corporation.

### Notes on chip component replacement

- Never reuse a disconnected chip component.
- Notice that the minus side of a tantalum capacitor may be damaged by heat.

### Flexible Circuit Board Repairing

- Keep the temperature of the soldering iron around 270 °C during repairing.
- Do not touch the soldering iron on the same conductor of the circuit board (within 3 times).
- Be careful not to apply force on the conductor when soldering or unsoldering.



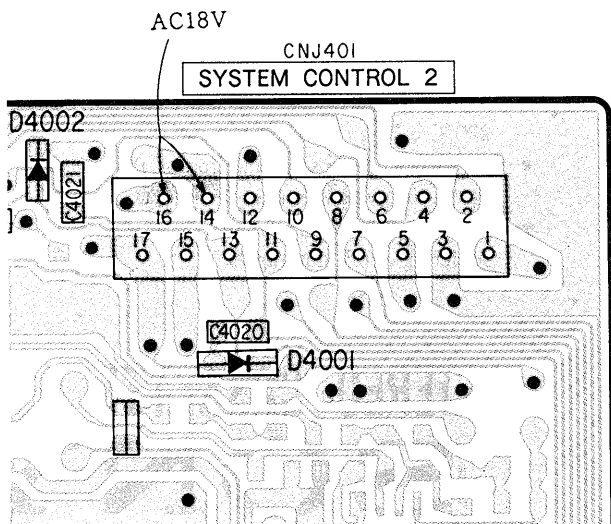
STEREO CASSETTE DECK  
**SONY**®

TABLE OF CONTENTS

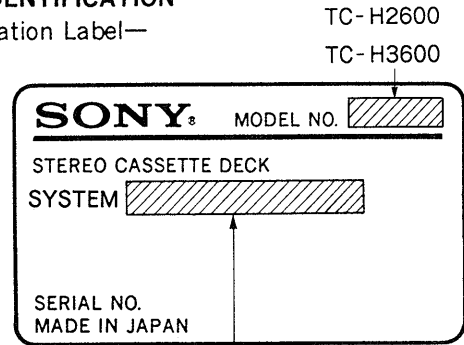
| Section | Title   | Page |
|---------|---|------|
| 1.      | GENERAL .....                                     | 3    |
| 2.      | MECHANICAL ADJUSTMENTS .....                      | 4    |
| 3.      | ELECTRICAL ADJUSTMENTS .....                      | 4    |
| 4.      | DIAGRAMS  |      |
| 4-1.    | IC Pin Description .....                          | 8    |
| 4-2.    | Block Diagram .....                               | 12   |
| 4-3.    | Printed Wiring Boards —Main Section— .....        | 15   |
| 4-4.    | Schematic Diagram —Main Section— .....            | 19   |
| 4-5.    | Schematic Diagram<br>—Pin Jack Section— .....     | 24   |
| 4-6.    | Printed Wiring Boards<br>—Pin Jack Section— ..... | 29   |
| 4-7.    | Semiconductor Lead Layouts .....                  | 32   |
| 4-8.    | Circuit Boards Location .....                     | 32   |
| 5.      | EXPLODED VIEWS                                    |      |
| 5-1.    | Front Panel Section-1 .....                       | 33   |
| 5-2.    | Front Panel Section-2 .....                       | 34   |
| 5-3.    | Mechanism section-1 .....                         | 35   |
| 5-4.    | Mechanism section-2 .....                         | 36   |
| 6.      | ELECTRICAL PARTS LIST .....                       | 37   |

Caution when repairing

Normally the power of this set is supplied from the TA-H2600/H3600 amplifier connected. When only this set is repaired, connect the power of 18V AC as shown in the figure below.



MODEL IDENTIFICATION  
—Specification Label—



- MHC-2600 (TC-H2600: AEP, UK/  
TC-H3600: US, Canadian),
- FH-E737CD (TC-H2600: E, Australian),
- MHC-3600 (TC-H3600: AEP, UK, US, Canadian),
- FH-E838CD (TC-H3600: E, Australian).

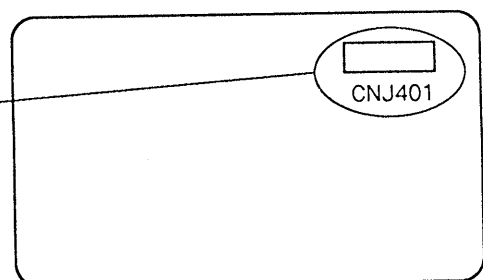
SAFETY-RELATED COMPONENT WARNING!!

COMPONENTS IDENTIFIED BY MARK  $\triangle$  OR DOTTED LINE WITH MARK  $\triangle$  ON THE SCHEMATIC DIAGRAMS AND IN THE PARTS LIST ARE CRITICAL TO SAFE OPERATION. REPLACE THESE COMPONENTS WITH SONY PARTS WHOSE PART NUMBERS APPEAR AS SHOWN IN THIS MANUAL OR IN SUPPLEMENTS PUBLISHED BY SONY.

ATTENTION AU COMPOSANT AYANT RAPPORT  
À LA SÉCURITÉ!

LES COMPOSANTS IDENTIFIÉS PAR UNE MARQUE  $\triangle$  SUR LES DIAGRAMMES SCHÉMATIQUES ET LA LISTE DES PIÈCES SONT CRITIQUES POUR LA SÉCURITÉ DE FONCTIONNEMENT. NE REMPLACER CES COMPOSANTS QUE PAR DES PIÈCES SONY DONT LES NUMÉROS SONT DONNÉS DANS CE MANUEL OU DANS LES SUPPLÉMENTS PUBLIÉS PAR SONY.

[PIN JACK BOARD] (conductor side)



## SECTION 1 GENERAL

### SAFETY CHECK-OUT

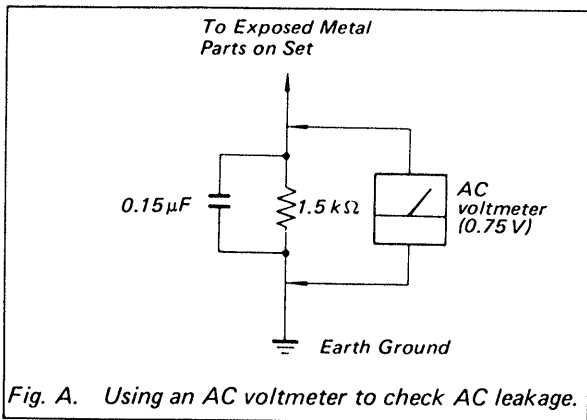
After correcting the original service problem, perform the following safety check before releasing the set to the customer:

Check the antenna terminals, metal trim, "metallized" knobs, screws, and all other exposed metal parts for AC leakage. Check leakage as described below.

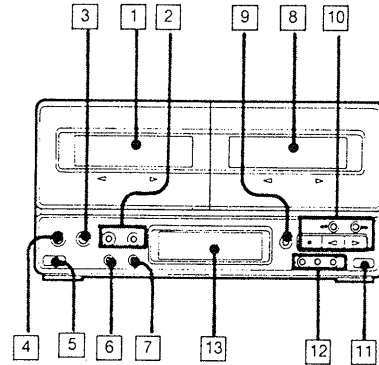
### LEAKAGE TEST

The AC leakage from any exposed metal part to earth ground and from all exposed metal parts to any exposed metal part having a return to chassis, must not exceed 0.5 mA (500 microamperes). Leakage current can be measured by any one of three methods.

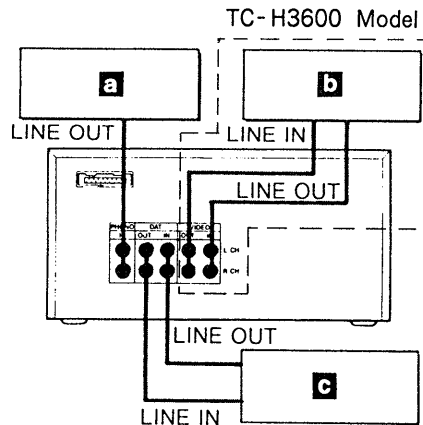
1. A commercial leakage tester, such as the Simpson 229 or RCA WT-540A. Follow the manufacturers' instructions to use these instruments.
2. A battery-operated AC milliammeter. The Data Precision 245 digital multimeter is suitable for this job.
3. Measuring the voltage drop across a resistor by means of a VOM or battery-operated AC voltmeter. The "limit" indication is 0.75 V, so analog meters must have an accurate low-voltage scale. The Simpson 250 and Sanwa SH-63Trd are examples of a passive VOM that is suitable. Nearly all battery operated digital multimeters that have a 2V AC range are suitable. (See Fig. A)



This section is extracted from instruction manual.



- 1 Cassette holder (Deck A)
- 2 DECK A/B selector  $\Delta$
- 3 CD SYNCHRO (CD synchronized recording) button and indicator  $\text{9b}$   $\text{10b}$
- 4 DUBBING MODE button and indicator  $\text{8a}$
- 5  $\Delta$  EJECT button (Deck A)
- 6 DOLBY NR (Dolby Noise Reduction) switch  $\text{6b}$   $\text{60}$
- 7 DIRECTION MODE selector  $\text{6a}$   $\text{6b}$
- 8 Cassette holder (Deck B)
- 9 COUNTER RESET button  
Resets the counter of the cassette deck to "0".
- 10 Tape operation buttons (for Deck A and B)  
  - $\blacktriangle\blacktriangle$  : Fast winding
  - $\blacksquare$  : Stop
  - $\triangleright$  : Forward play
  - $\triangleleft$  : Reverse play
- 11  $\Delta$  EJECT button (Deck B)
- 12 Tape operation buttons (for Deck B)  
  - $\text{||}$  : PAUSE
  - $\text{O}$  : MUTE (Muting)
  - $\bullet$  : REC (recording)
- 13 Display window



You can connect a turntable system **a** to the PHONO jacks, a VCR **b** to the VIDEO jacks, and a DAT system **c** to the DAT jacks. To listen to each piece of equipment, press the FUNCTION buttons on the front panel until "PHONO" (for the turntable system), "VIDEO" (for VCR), or "DAT" appears on the display.

## SECTION 2 MECHANICAL ADJUSTMENTS

### PRECAUTION

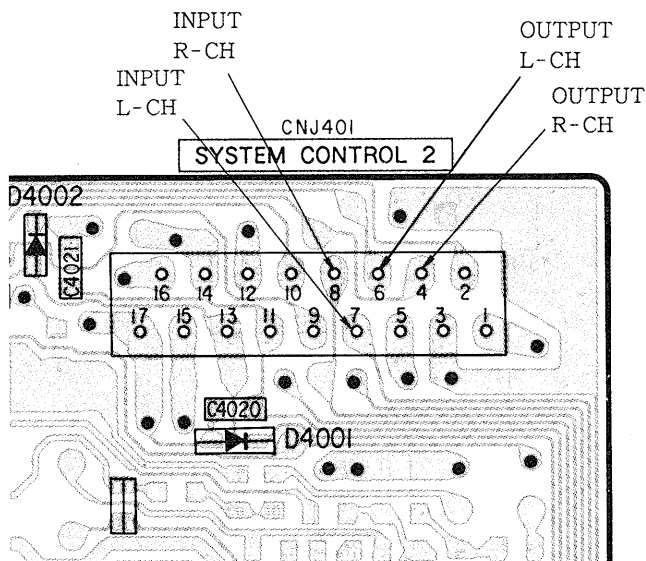
1. Clean the following parts with a denatured alcohol-moistened swab :
 

|                      |              |
|----------------------|--------------|
| record/playback head | pinch roller |
| erase head           | rubber belts |
| capstan              | idlers       |
2. Demagnetize the record/playback head with a head demagnetizer.  
(Head demagnetizer do not approach for the erase head.)
3. Do not use a magnetized screwdriver for the adjustment.
4. After the adjustments, apply suitable locking compound to the parts adjusted.
5. The adjustments should be performed with the rated power supply voltage unless otherwise noted.

### Torque Measurement

| Torque                  | Torque meter | Meter reading                           |
|-------------------------|--------------|---|
| Forward                 | CQ-102C      | 35 to 60g·cm<br>(0.49 to 0.83 oz·inch)  |
| Forward<br>back tension | CQ-102C      | 2 to 6g·cm<br>(0.03 to 0.08oz·inch)     |
| Reverse                 | CQ-102RC     | 35 to 60g·cm<br>(0.49 to 0.83oz·inch)   |
| Reverse<br>back tension | CQ-102RC     | 2 to 6g·cm<br>(0.03 to 0.08oz·inch)     |
| Forward,<br>Reverse     | CQ-201B      | 70 to 110g·cm<br>(0.98 to 1.52 oz·inch) |

LINE IN/OUT Terminal (CNJ401)



## SECTION 3 ELECTRICAL ADJUSTMENTS

### PRECAUTION

1. The adjustment should be performed in the publication.  
(Be sure to make playback adjustment at first.)
2. The adjustment and measurement should be performed for both L-CH and R-CH.
  - Switch position  
DOLBY NR switch : OFF  
DIR MODE switch : ⇄

### Test Tape

| Tape     | Contents     | Use                   |
|----------|--------------|-----------------------|
| P-4-A100 | 10kHz, -10dB | Azimuth Adjustment    |
| P-4-L300 | 315Hz, 0dB   | Level Adjustment      |
| WS-48B   | 3kHz, 0dB    | Tape Speed Adjustment |

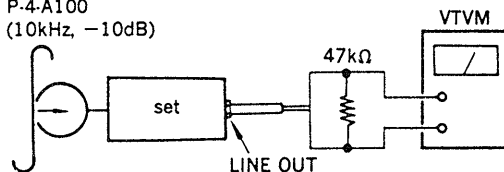
### Record/Playback Head Azimuth Adjustment

**DECK A**    **DECK B**

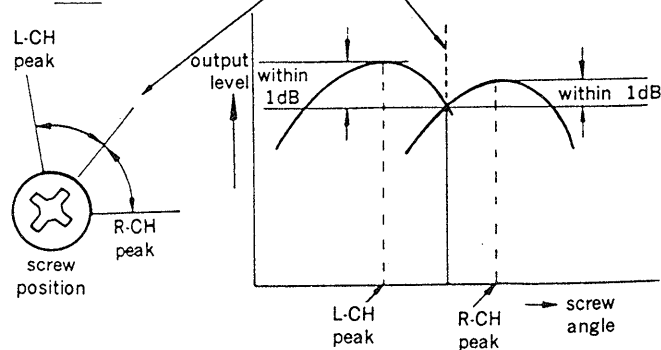
#### Procedure :

1. Forward Playback Mode

test tape  
P-4-A100  
(10kHz, -10dB)

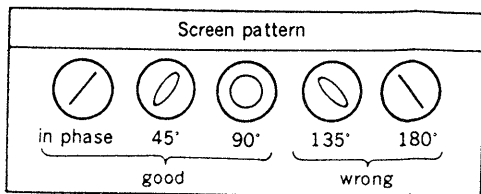
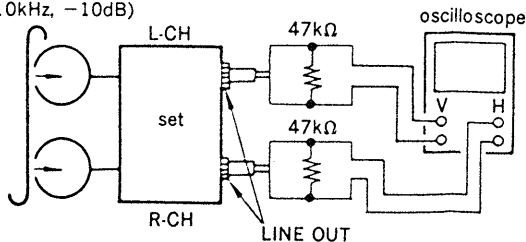


2. Turn the adjustment screw for the maximum output levels. If these levels do not match, turn the adjustment screw until both of output levels match together within 1dB.



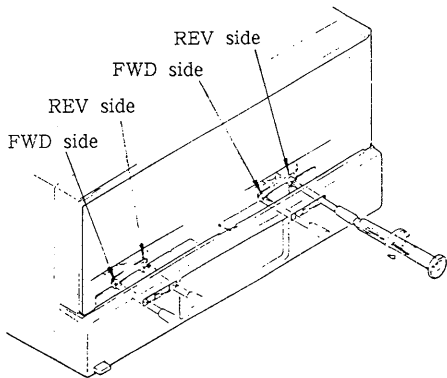
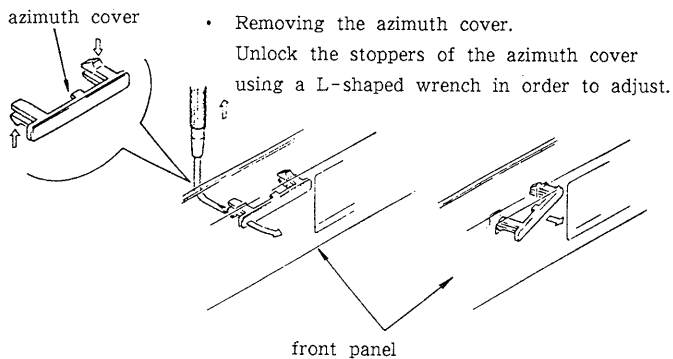
3. Playback Mode

test tape  
P-4-A100  
(10kHz, -10dB)



4. Change the reverse playback mode and repeat the steps 1 to 3.
5. After the adjustment, lock the adjustment screw with suitable locking compound.

**Adjustment Location :** —record/playback head—

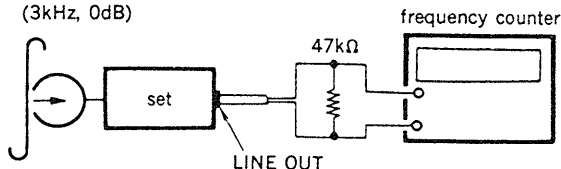


**Tape Speed Adjustment** DECK A DECK B

**Procedure :**

—Forward Playback Mode—

test tape  
WS-48B  
(3kHz, 0dB)



Perform high speed adjustment before normal speed adjustment.

(High speed adjustment)

1. Short TP601 (main board) when the power is OFF.
2. Turn on the power and put the deck A into the FWD mode.
3. Connect a resistor of 150 Ω to both the terminals of TP6001 (main board). (The set enters into high speed playback mode.)
4. Adjust RV72A (H) of the deck A so that a reading of the frequency counter meets the adjustment value.
5. Put the deck iA nto the STOP mode and remove the resistor of 150 Ω
6. Adjust the deck B performing items 2 through 5 as deck A.
7. After the adjustment is completed, remove the short of TP601.

(Normal speed adjustment)

1. Put the set into the FWD playback mode.
2. At this time, adjust RV71A (L) of the deck A and RV71B (L) of the deck B so that a reading of the frequency counter meets the adjustment value.

**Adjustment Limits :**

| Speed  | Frequency Counter Reading |
|--------|---------------------------|
| High   | 6,000 ± 20Hz              |
| Normal | 3,000 ± 10Hz              |

Frequency difference between the beginning and the end of the tape should be within 3%.

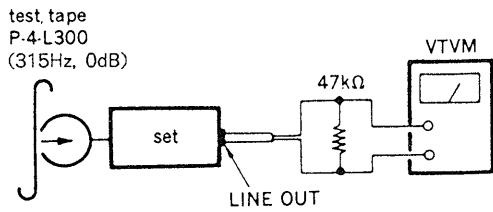
Frequency difference between deck A and deck B the beginning of the tape should be within 1.5%.

**Adjustment Location :** MD-A, B board

**Playback Level Adjustment** DECK A DECK B

**Procedure :**

—Forward Playback Mode—



Adjust deck A: RV11A (L-CH), RV21A R-CH) and deck B: RV11B (L-CH), RV21B (R-CH) so that the VTVM reading becomes the adjustment limits below.

**Adjustment Limits :**

LINE OUT level :  $-10 \pm 0.5\text{dB}$  (0.23 to 0.26V)

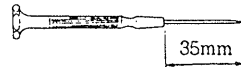
Level Difference between Channels : within 0.5dB

Confirm the LINE OUT level does not change in playback mode while changing the mode from playback to stop several times.

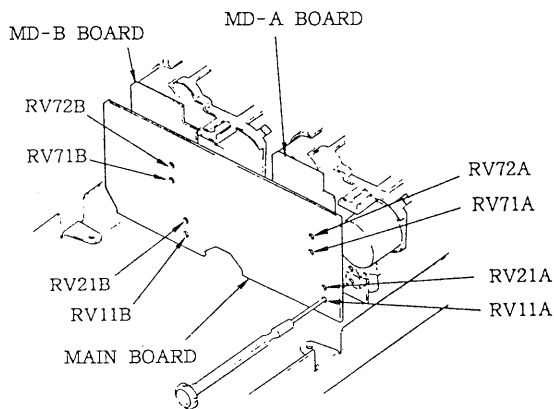
**Adjustment Location :** MD-A, B board

Tape Speed/playback Level Adjustment

Screwdriver to adjust the MD block



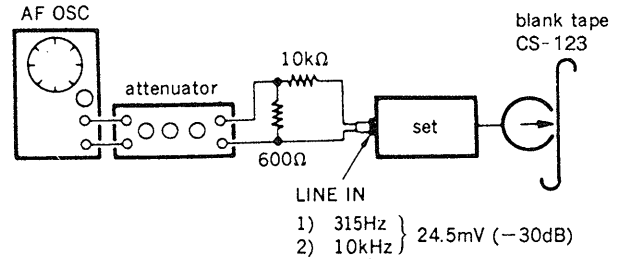
The MD block adjustment can be performed by inserting a screwdriver of which axis length (not including the shaft) is 35 mm or more through the rear side of the main board.



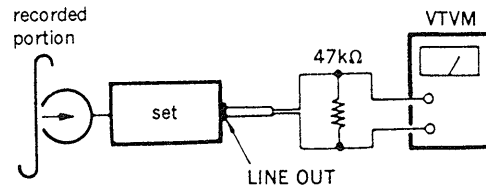
**Record Bias Adjustment** DECK B

**Procedure :**

1. Record Mode



2. Playback Mode



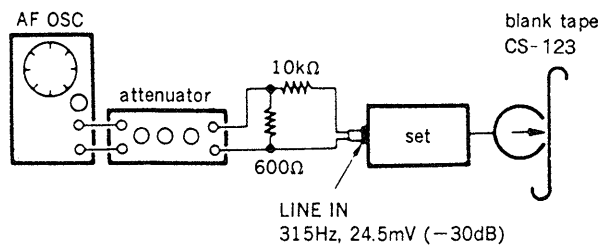
Playback the signal recorded in step 1. Confirm that the 10kHz playback output is  $0 \pm 0.5\text{dB}$  relative to the 315Hz output. If necessary, adjust RV12 (L-CH), RV22 (R-CH) and repeat the steps given above.

**Adjustment Location :** MD-B board

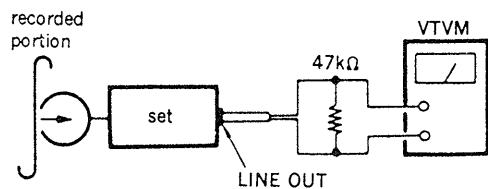
**Record Level Adjustment** DECK B

**Procedure :**

1. Record Mode



2. Playback Mode



Confirm playback the tape recorded become adjustment level as follows.

If necessary, adjust RV101 (L-CH), RV201 (R-CH) and repeat steps 1 and 2.

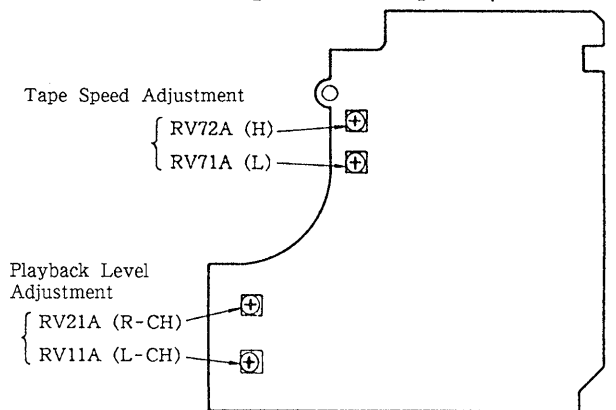
**Adjustment Limits :**

LINE OUT level :  $-30 \pm 0.5\text{dB}$  (23 to 26mV)

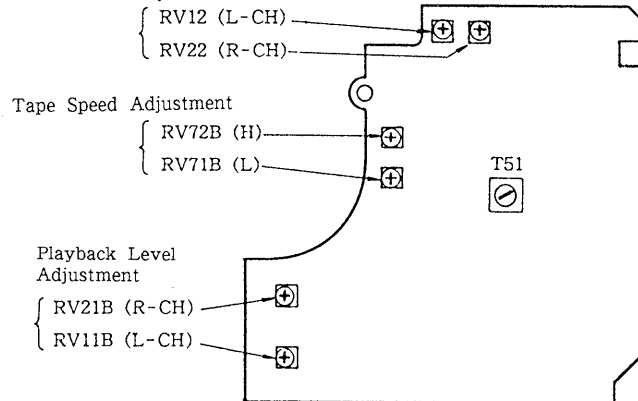
Adjustment Location : main board

**ADJUSTMENT LOCATION :**

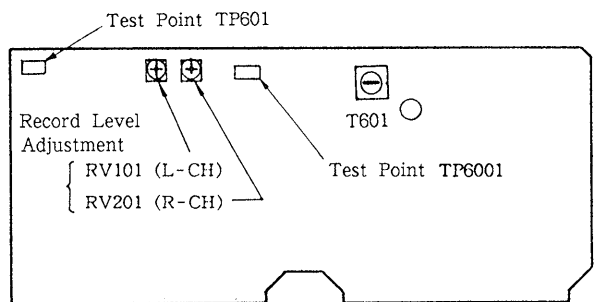
**【MD-A BOARD】 component side**



**Record Bias Adjustment 【MD-B BOARD】 component side**



**【MAIN BOARD】 component side**



## SECTION 4 DIAGRAMS

## 4-1. IC PIN DESCRIPTION

IC351 display microprocessor HD614022FP

Fluorescent lamp indicator is activated by receiving data from IC601 (system controller).

| Pin No.                          | Pin Name                                | I/O                   | Description   |
|----------------------------------|---|-----------------------|---|
| 1~11<br>12<br>13<br>14~15<br>16  | S10-S0<br>VDISP<br>SYNC                 | O<br>—<br>I           | FL indicator tube(FL351) segment output<br>Not used. (+5.6 V)<br>Power supply for activating the FL indicator tube(-20V)<br>Not used(GND)<br>Interrupt input. Data transmission from IC601(system controller) is checked.   |
| 17<br>18~25<br>26<br>27<br>28    | INT<br>Vcc<br>CLK<br>DATA               | I<br>I<br>—<br>I<br>I | Not used. (GND)<br>Not used. (GND)<br>Power supply terminal (+5.6V)<br>Data transmission clock input from IC601 (system controller)<br>Serial data input from IC601 (system controller)   |
| 29<br>30~32<br>33<br>34<br>35    | SYNC<br>HIGH DUB<br>NORM DUB<br>CD SYNC | I<br>O<br>O<br>O      | Sync signal input which indicates the first byte of data sent from IC601 (system controller)<br>Not used. (GND)<br>LED (D301) light output in the high speed dubbing mode.<br>LED (D301) light output in the normal speed dubbing mode.<br>LED (D302) light output in the CD sync mode. |
| 36~38<br>39<br>40~42<br>43<br>44 | FLCHECK<br>RESET<br>TEST                | I<br>I<br>I<br>I      | Not used. (GND)<br>All the FL indicator tubes are lit when this port is set to "L". (Normally +5.6V)<br>Not used. (GND)<br>Reset input from IC601 (system controller). "L": Reset.<br>Not used. (+5.6V)   |
| 45<br>46<br>47<br>48~50<br>51    | OSC1<br>OSC2<br>GND                     | I<br>O<br>—           | Clock input (4.19MHz)<br>Clock output<br>Power supply terminal (GND)<br>Not used. (GND)<br>Not used. (Pull-up)  |
| 52~57<br>58~61<br>62~64          | G0 - G6<br>S11 - S13                    | O<br>O                | FL indicator tube (FL351) grid output<br>Not used. (+5.6V)<br>FL indicator tube (FL351) segment output  |

IC406 selector controller M50760-315FP

AV output is switched with the audio pass signal sent from the amplifier (TA-H2600/H3600).

| Pin No.                    | Pin Name                        | I/O                   | Description   |
|----------------------------|---------------------------------|-----------------------|---|
| 1<br>2<br>3<br>4<br>5      | D3<br>A0<br>A1<br>CNVss         | I<br>O<br>O<br>—      | Model section input port. Connected to GND.<br>Audio IN switch (IC403 and IC404) control output port.<br>Not used.<br>Audio IN switch (IC403 and IC404) control output port.<br>Power supply terminal (GND) |
| 6<br>7<br>8<br>9<br>10     | Vss<br>A2<br>B0<br>B1           | —<br>O<br>O<br>O      | Power supply terminal (GND)<br>Audio IN switch (IC403 and IC404) control output port.<br>Audio OUT switch (IC405) control output port.<br>Audio OUT switch (IC405) control output port.<br>Not used.        |
| 11<br>12<br>13~14<br>15    | V0<br>V1                        | O<br>O                | Video IN/OUT switch (IC407) control output port.<br>Video IN/OUT switch (IC407) control output port.<br>Not used. (GND)<br>Not used.  |
| 16<br>17<br>18<br>19<br>20 | RESET<br>XOUT<br>XIN<br>S<br>D2 | I<br>O<br>I<br>I<br>I | Reset input. "L": Reset<br>Clock output.<br>Clock input.<br>Serial data input (audio pass)<br>Serial data input (audio pass)  |
| 21<br>22<br>23<br>24       | S1<br>VDO<br>V <sub>DD</sub>    | I<br>—<br>I<br>—      | Model section input port. Connected to GND.<br>Not used.<br>Model section input port. Connected to GND.<br>Power supply terminal (+5V)  |



## IC601 system controller M50944-121FP

The system is wholly controlled by communication between IC351 (display microprocessor) and IC602 (mechanism controller).

| Pin No. | Pin Name     | I/O | Description   |
|---------|--------------|-----|---|
| 1       | KEY2         | I   | Not used. (GND)   |
| 2       | KEY1         | I   | Not used. (GND)   |
| 3       | SYNC         | O   | Sync signal input which indicates the first byte of data sent to IC351 (display microprocessor).                                  |
| 4       | FL-SCK       | O   | Data transmission clock output to IC351 (display microprocessor).   |
| 5       | FL-SO        | O   | Serial data output to IC351 (display microprocessor).   |
| 6       | AU-BUS       | O   | Audio pass output.  |
| 7       | AU-BUS       | I   | Audio pass input (negative edge).   |
| 8       | POWER-IN     | I   | Power-off detection input. "L": Power OFF.  |
| 9       | PB-SELECT    | O   | Deck A/B switch output in the playback mode. "L": deck B, "H": deck A.  |
| 10      | AMS-SELECT   | O   | AMS amplifier input switch output   |
| 11      | MD-REQ       | I   | Data request input from IC602 (mechanism controller)  |
| 12      | MD-SCLK      | O   | Data transmission clock output to IC602 (mechanism controller)  |
| 13      | MD-SO        | O   | Serial data output to IC602 (mechanism controller)  |
| 14      | MD-SI        | I   | Serial data input from IC602 (mechanism controller)   |
| 15      |              | O   | Not used. (GND)   |
| 16      | RESET (MD)   | O   | IC602 (mechanism controller) reset signal output.   |
| 17      | AU-BUS       | I   | Audio pass input (positive-edge)  |
| 18      | RESET (DSP)  | O   | IC351 (display microprocessor) reset signal output.   |
| 19      | GND          | —   | Power supply terminal. (GND)  |
| 20      | RESET        | I   | System reset input. "L": Reset.   |
| 21      | X-IN         | I   | Clock input (4MHz)  |
| 22      | X-OUT        | O   | Clock output  |
| 23      | XC-IN        | I   | Not used. (GND)   |
| 24      | XC-OUT       | O   | Not used. (open)  |
| 25      | VSS          | —   | Power supply terminal (GND)   |
| 26      | N. C.        |     | Not used. (open)  |
| 27      | TEST         | I   | Electrical adjustment test mode setting input<br>This set enters into the test mode when the power is on and it is set to "L". *1 |
| 28      | VAR SELECT   | I   | Not used. (pull-up)   |
| 29      | METAL (B)    | I   | Metal switch (S83) input for deck B. "H": Metal.  |
| 30      | 70 $\mu$ (B) | I   | Chrome switch (S82) input for deck B. "L": Normal   |
| 31      | PPOWER-ON    | O   | Not used. (open)  |
| 32~35   |              |     | Not used. (GND)   |
| 36      | 70 $\mu$ (A) | I   | Chrome switch (S83) input for deck A. "L": Normal.  |
| 37      | AMS IN       | I   | Signal input from the AMS amplifier. "H": Detected, "L": Not detected.  |
| 38      | N. C.        |     | Not used. (GND)   |
| 39      |              |     | Not used. (GND)   |
| 40      | EQ-HIGH      | O   | REC equalizer characteristic switch output<br>"H": High speed, "L": Normal speed.   |
| 41      | BIAS FADE    | O   | Not used. (GND)   |
| 42      | BIAS (B)     | O   | Bias ON/OFF switch output. "H": OFF, "L": ON.   |
| 43      | TYPE II (B)  | O   | Not used. (GND)   |
| 44      | TYPE I (B)   | O   | Not used. (GND)   |
| 45      | R.MUTE (B)   | O   | REC mute control output. "L": Mute ON, "H": Mute OFF.   |
| 46      | RELAY (B)    | O   | Mechanism deck head switch control output. "L": ON.   |
| 47      | DOLBY B      | O   | Dolby B/C switch control output. "L": Dolby C, "H": Dolby B.  |
| 48      | DOLBY ON     | O   | Dolby ON/OFF switch control output. "L": ON, "H": OFF.  |
| 49      | REC/PB       | O   | Dolby amplifier REC/PB switch output. "L": REC, "H": PB.  |
| 50      |              | O   | Not used. (open)  |
| 51      | PB 70 $\mu$  | O   | Playback equalizer characteristic switch output. "H": normal, "L": chrome metal   |
| 52      | AMS/BS       | O   | Not used.   |
| 53      | PASS         | O   | PASS amplifier switch output for LINE OUT. "L": PASS amplifier, "H": Through.   |

| Pin No. | Pin Name  | I/O | Description   |
|---------|-----------|-----|---|
| 54      | LINE-MUTE | O   | Line mute control output. "L": MUTE OFF, "H": MUTE ON |
| 55      | AVCC      | —   | Power supply terminal. (+5V)                          |
| 56      | VCC       | —   | Power supply terminal. (+5V)                          |
| 57      | AVSS      | —   | Power supply terminal (GND)                           |
| 58      | V.REF     | I   | Reference voltage input for A/D input port (+5 V)     |
| 59      | METER (R) | I   | Level meter signal output (R-CH)                      |
| 60      | METER (L) | I   | Level meter signal input (L-CH)                       |
| 61      | VOL DATA  | I   | Not used. (GND)                                       |
| 62      | KEY5      | I   | Not used. (GND)                                       |
| 63      | KEY4      | I   | Key input. (analog) *2                                |
| 64      | KEY3      | I   | Key input. (analog) *2                                |

\*1 Test mode

When the power is on and pin ⑤ is set to "L" (TP601 is shortened.), the set enters the electrical adjustment test mode and the followings can be available.

(1) High speed playback

When A or B deck is in the playback mode and a resistor of 150 Ω is connected to both the terminals of TP6001 (main board), the set can be entered the high speed playback mode.

(2) Source monitor

Recording signals can be monitored through the LINE OUT terminal (see page 4) because the line short is removed in recording.

(3) Recording memory

Recording memory is set to ON when the tape counter is reset at the record start point.

(4) Mode display

The counter displays as shown in the A figure when the counter mode is set to the deck A and the deck A button of deck A/B switch is pressed, or when the counter mode is the B deck and the B deck button is pressed.

(5) When this terminal is set back to "H" after it is set to the test mode in "L" of the power-on mode, all the FL indicator tubes are lit.

(The mechanism block continues to operate as before it is set to "H".)

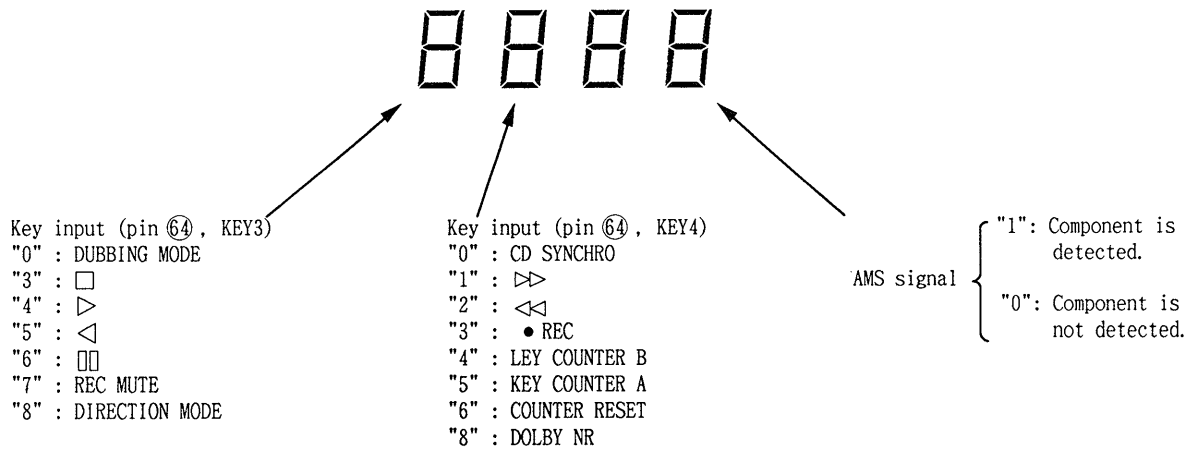


Figure A

\*2 Key input (analog port)

| Voltage(V)  | 0            | 0.3 | 0.7 | 1.2   | 1.7           | 2.3           | 2.8           | 3.3        | 4.0            |
|-------------|--------------|-----|-----|-------|---------------|---------------|---------------|------------|----------------|
| Pin ⑥, KEY4 | CD SYNCHRO   | ◁◁  | ▷▷  | ● REC | KEY COUNTER B | KEY COUNTER A | COUNTER RESET |            | DOLBY NR       |
| Pin ⑥, KEY3 | DUBBING MODE |     |     | □     | ▷             | ◁             | □□ PAUSE      | ● REC MUTE | DIRECTION MODE |

IC602 mechanism controller M50925-482FP

The mechanism deck is controlled by receiving data from IC601 (system controller).

| Pin No. | Pin Name  | I/O | Description   |
|---------|-----------|-----|---|
| 1       | RESET     | I   | Reset input from IC601 (system controller). "L": Reset.   |
| 2       | STOP-A    | I   | Deck A stop switch (S81) input. "H": Stop.  |
| 3       | AVSS      | —   | Power supply terminal (GND)   |
| 4       | Vref      | I   | A/D input port reference voltage input.   |
| 5       | A/D. IN-B | I   | Deck B leaf switch input (analog). *1   |
| 6       | A/D. IN-A | I   | Deck A leaf switch input (analog). *1   |
| 7       | AVDD      | —   | Power supply terminal. (+5V)  |
| 8       | N. C.     | —   |   |
| 9       | T. REEL-B | I   | Not used. (GND)   |
| 10      | S. REEL-B | I   | Deck B supply reel table sensor (IC81)  |
| 11      | T. REEL-A | I   | Not used. (GND)   |
| 12      | S. REEL-A | I   | Deck A supply reel table sensor (IC81)  |
| 13~14   | N. C.     | —   |   |
| 15      | CM. ON-A  | O   | Deck A capstan motor (M102) ON/OFF control output.<br>"L": OFF, "H": ON.                                |
| 16      | CM. ON-B  | O   | Deck B capstan motor (M102) ON/OFF control output.<br>"L": OFF, "H": ON.                                |
| 17      | GND       | —   | Power supply terminal. (GND)  |
| 18      | VSS       | —   | Power supply terminal. (GND)  |
| 19      | CM. H/L   | O   | Capstan motor (M102) speed switch output. "H": High speed, "L": Normal.                                 |
| 20      | FWD-B     | O   | } Deck B reel motor control output. *2<br>The reel motor is activated by combining these three outputs. |
| 21      | TRIG-B    | O   |   |
| 22      | FWD-B     | O   |   |
| 23      | RWD-A     | O   | } Deck A reel motor control output. *2<br>The reel motor is activated by combining these three outputs. |
| 24      | TRIG-A    | O   |   |
| 25      | FWD-A     | O   |   |
| 26      | N. C.     | —   |   |
| 27      | S. REQ    | O   | Data request output to IC601 (system controller).   |
| 28      | S. CLK    | I   | Data transmission clock input from IC601 (system controller).   |
| 29      | S. OUT    | O   | Serial data output to IC601 (system controller).  |
| 30      | S.IN      | I   | Serial data input from IC601 (system controller).   |
| 31~32   | N. C.     | —   |   |
| 33      | XOUT      | O   | Clock output.   |
| 34      | XIN       | I   | Clock input.  |
| 35      | STOP-B    | I   | Deck B stop switch (S81) input. "H": Stop.  |
| 36      | VDD       | —   | Power supply terminal. (+5V)  |

\*1 HALF, REC safety tab leaf switch input

| Leaf switch                | Voltage |     |     |     |     |
|----------------------------|---------|-----|-----|-----|-----|
|                            | 1       | 1.9 | 2.8 | 3.9 | 5   |
| Half S86                   | ON      |     |     |     |     |
| REC safety tab, side A S84 | OFF     | ON  | OFF | ON  | OFF |
| REC safety tab, side B S85 | ON      | ON  | OFF | OFF | OFF |

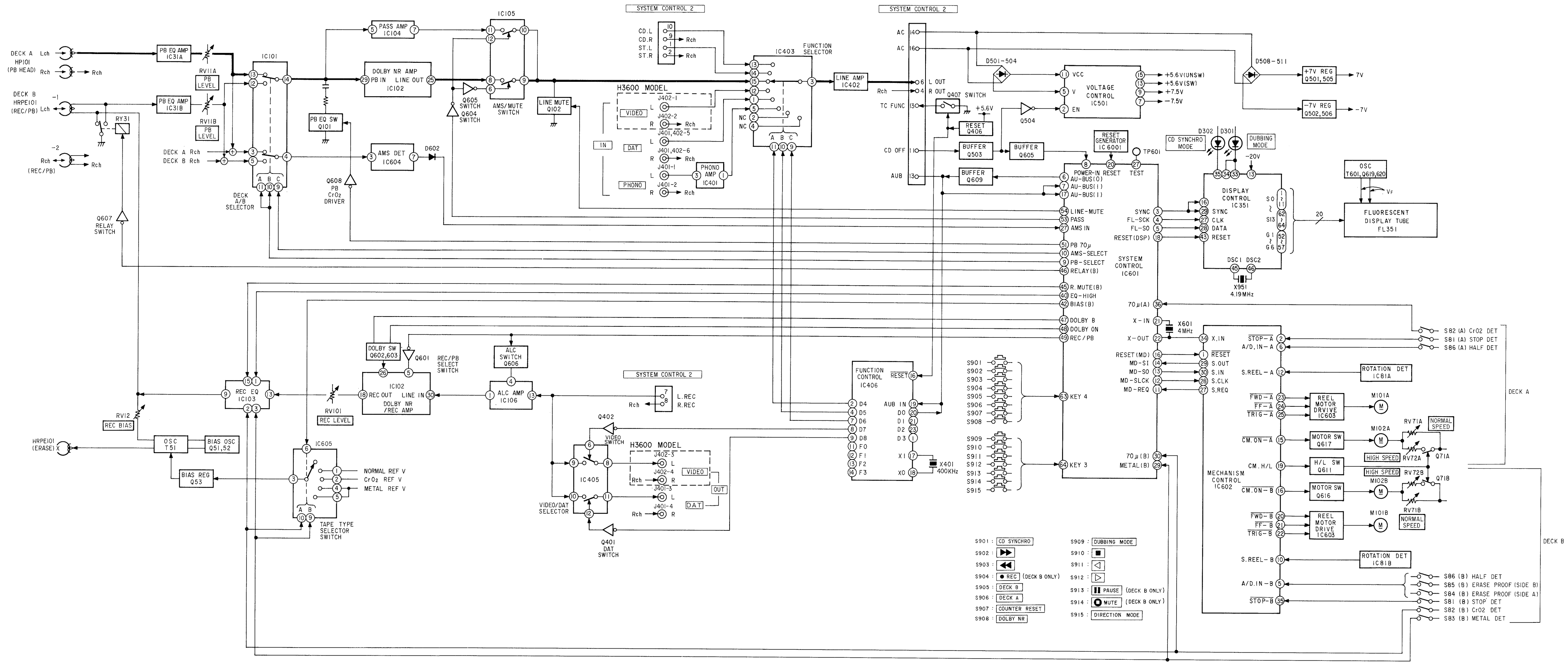
\*2 Reel motor drive

| Output port  | Mode         | FF | TRIG (kick) | STOP | FWO |
|--------------|--------------|----|-------------|------|-----|
|              | Pins ② and ④ | FF | L           | H    | L   |
| Pins ② and ⑤ | TRIG         | H  | L           | L    | H   |
| Pins ② and ③ | FWD          | H  | H           | L    | L   |

Reel motor drive amplifier output voltage

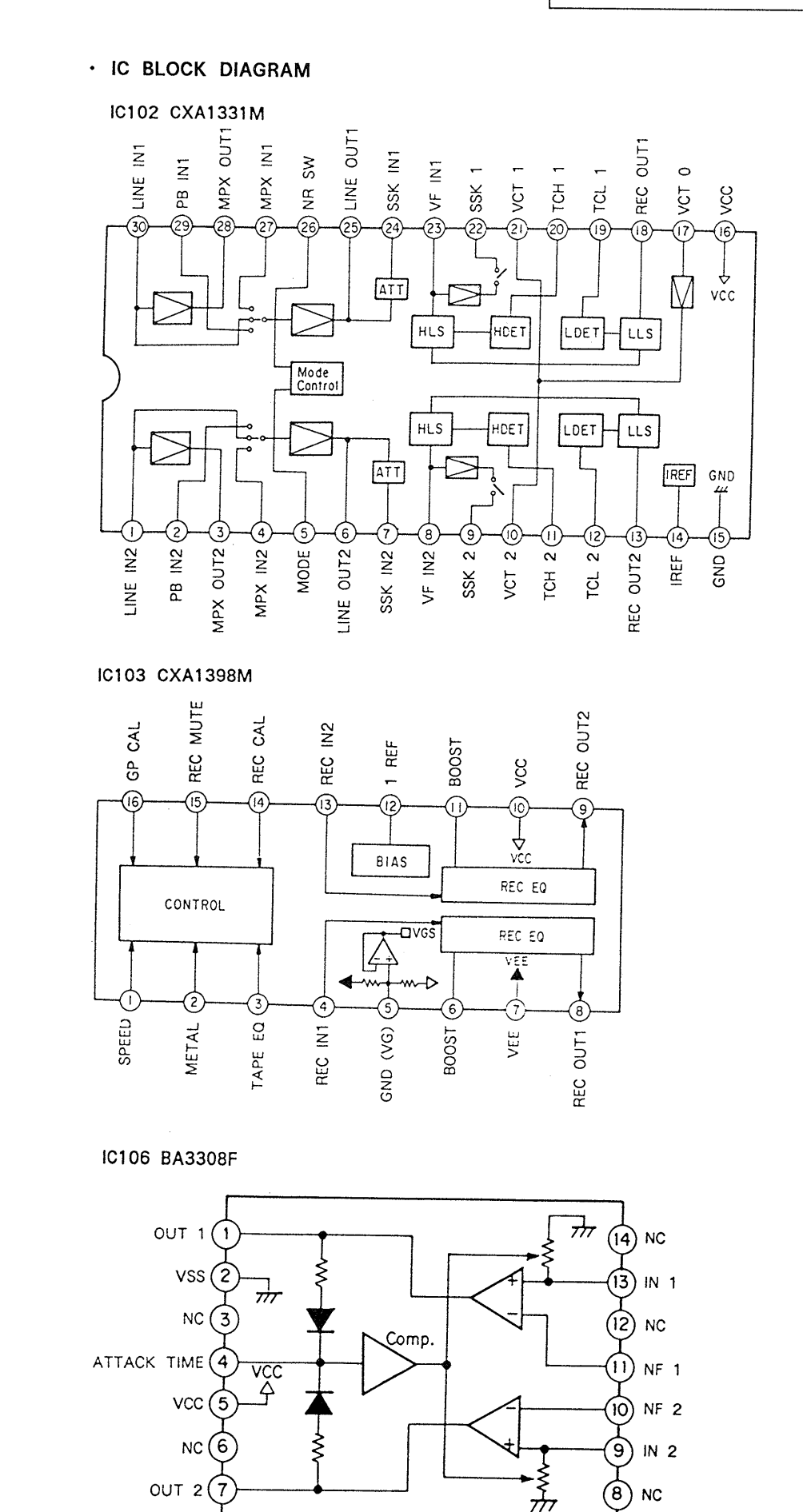
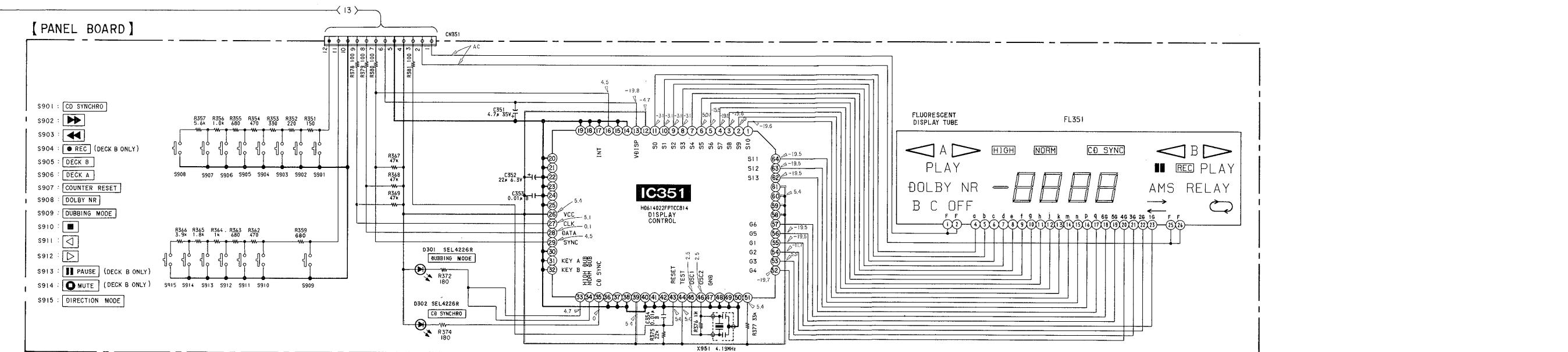
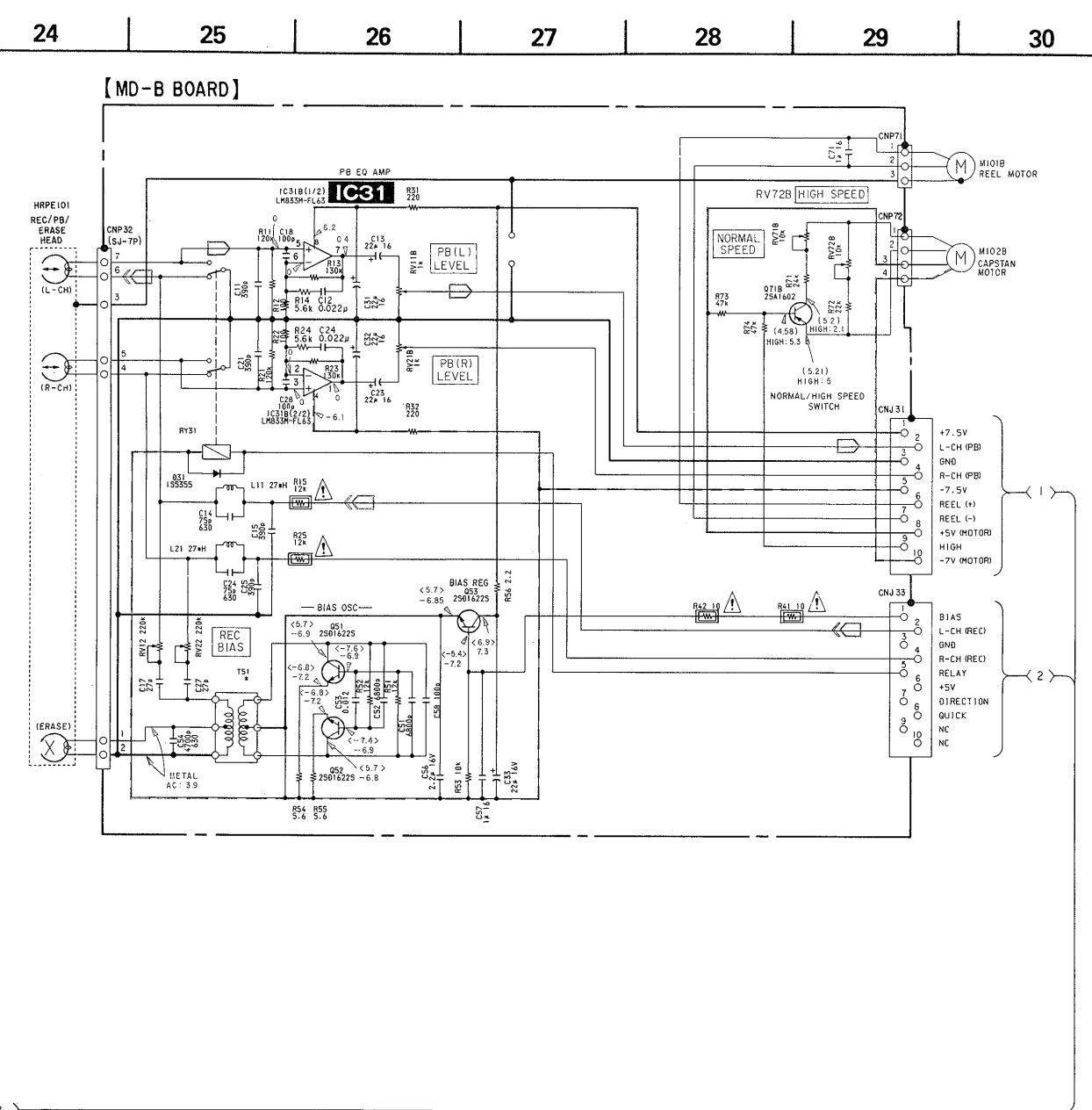
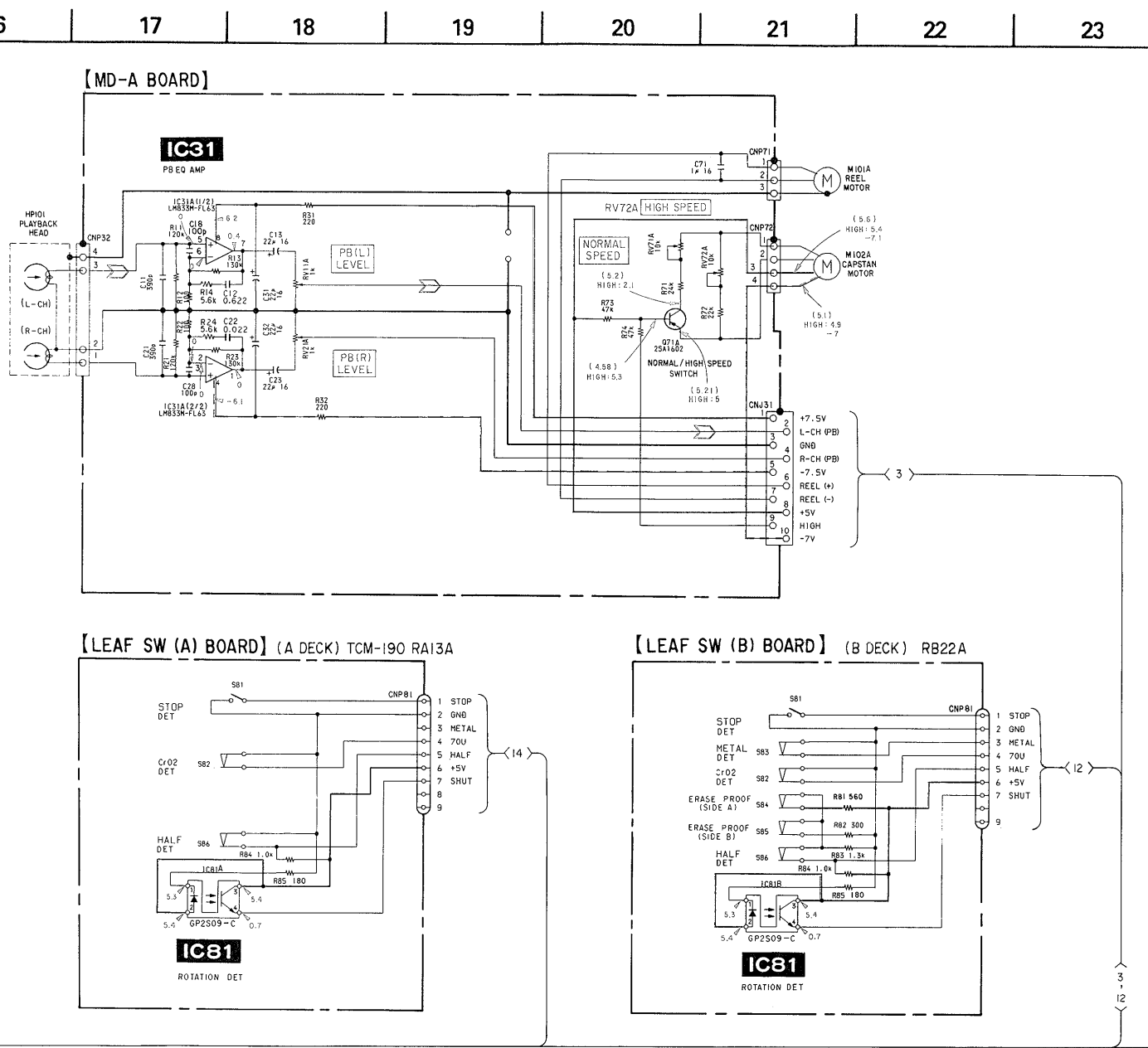
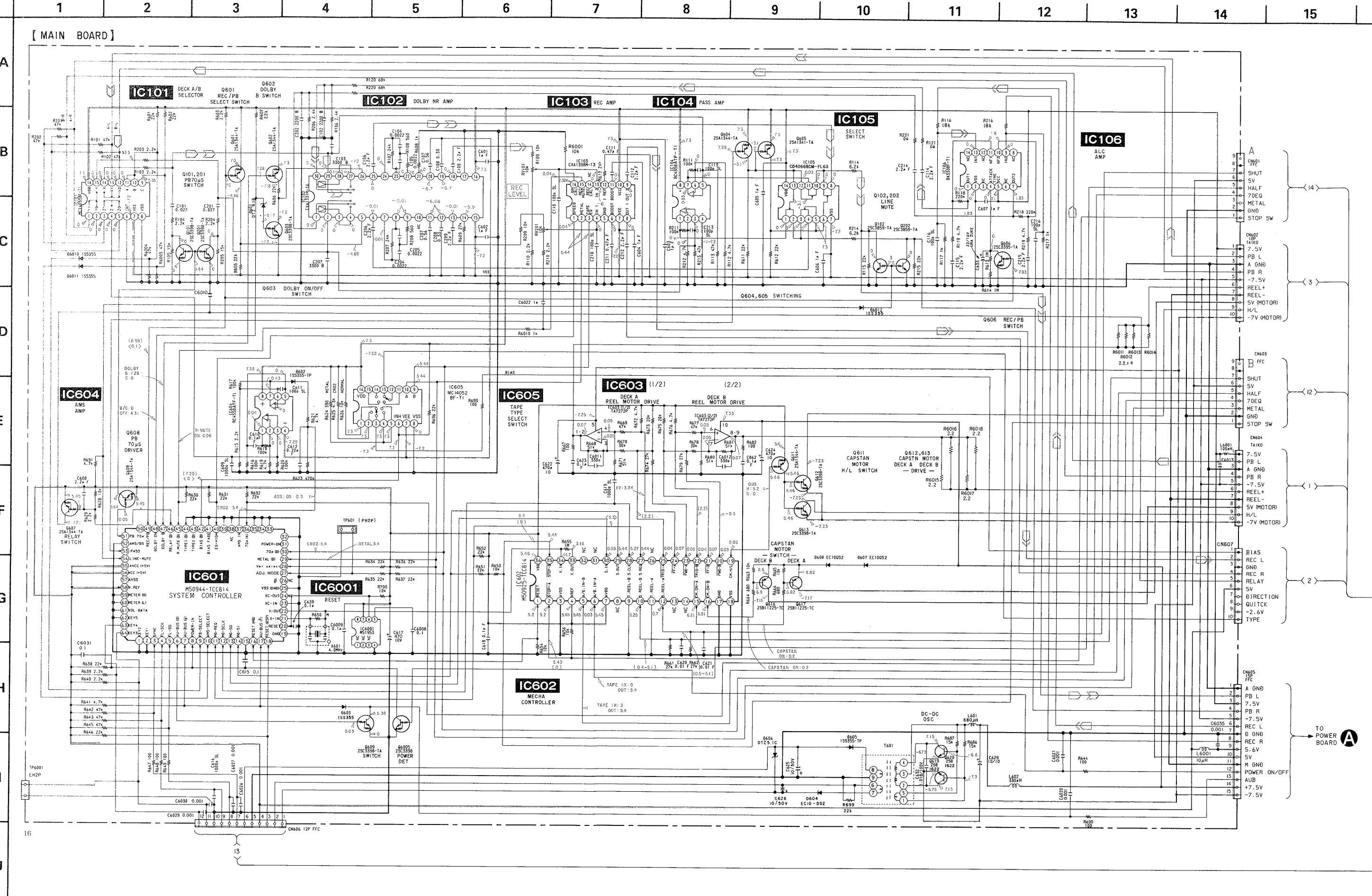
| Output  | Voltage |
|---------|---------|
| TRIG    | +6V     |
| FF. REW | -5V     |
| FWD     | -3V     |

4-2. BLOCK DIAGRAM

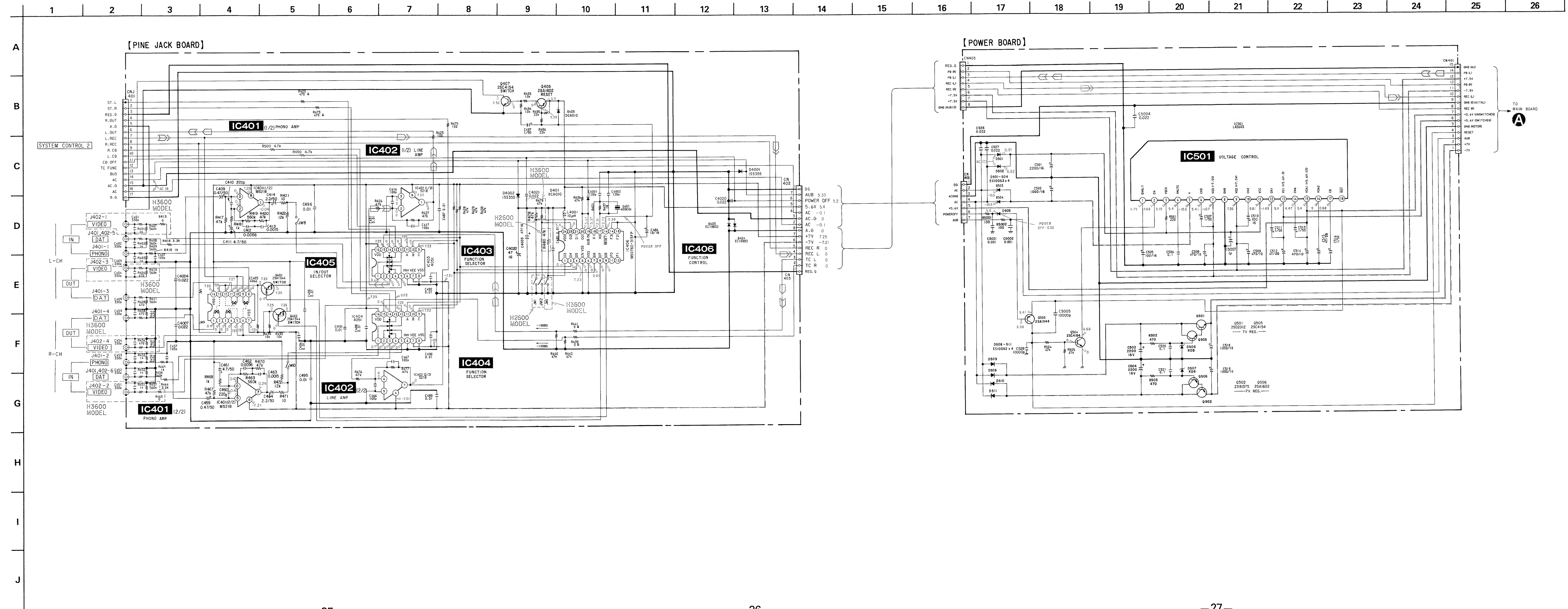








4-5. SCHEMATIC DIAGRAM - PIN JACK SECTION -



**Note on Schematic Diagram:**

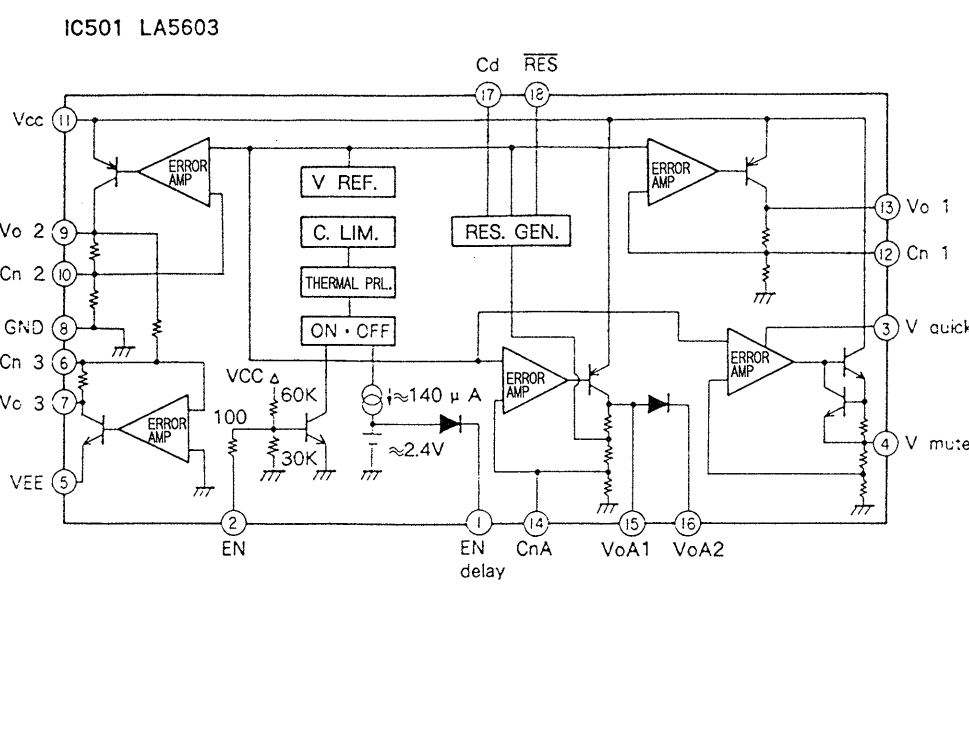
- All capacitors are in  $\mu\text{F}$  unless otherwise noted.  $\text{pF} = \mu\text{F} \times 10^{-6}$  and tantalums.
- All resistors are in  $\Omega$  and  $\frac{1}{4}\text{W}$  or less unless otherwise specified.
- : nonflammable resistor.

**Note:** The components identified by mark or dotted line with mark are critical for safety. Replace only with part number specified.

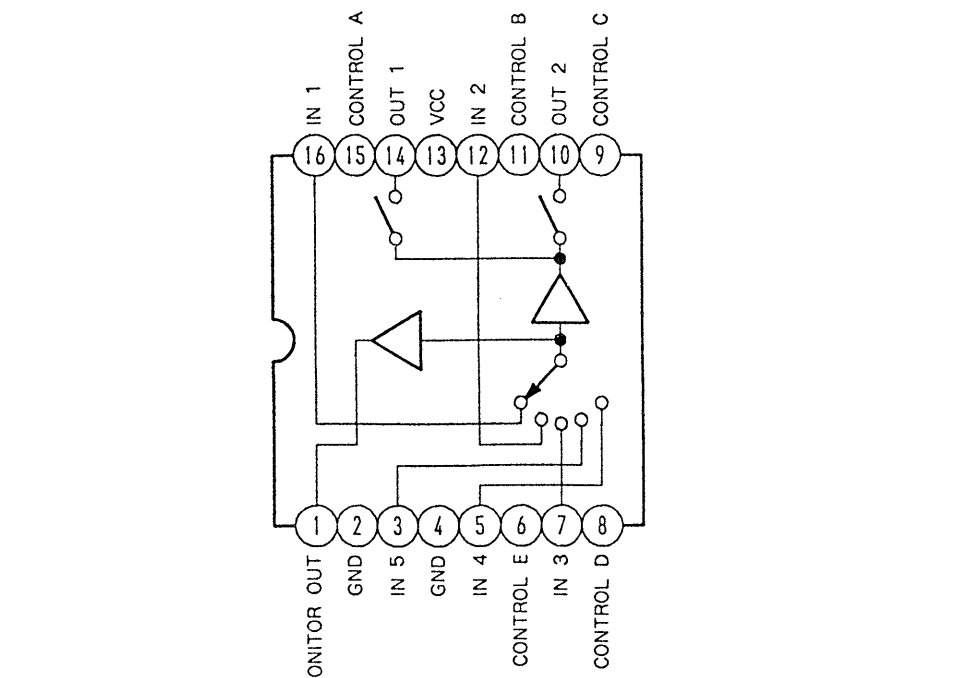
**Note:** Les composants identifiés par une marque ou une ligne pointillée avec une marque sont critiques pour la sécurité. Ne les remplacer que par une pièce portant le numéro spécifié.

- : B+ Line
  - : B- Line
  - : adjustment for repair.
  - no mark: STOP
  - ( ): PB
  - < : REC
  - ▷ : FWD
  - ◁ : REV
  - ◻ : STOP
  - ◁ : FF
  - ◁ : REW
  - ◻ : REC
- Voltages are taken with a VOM (input impedance 10M $\Omega$ )  
Voltage variations may be noted due to normal production tolerances.
- : Signal path
  - ▷ : PB (DECK A)
  - ◁ : PB (DECK B)
  - ◁ : REC (DECK B)

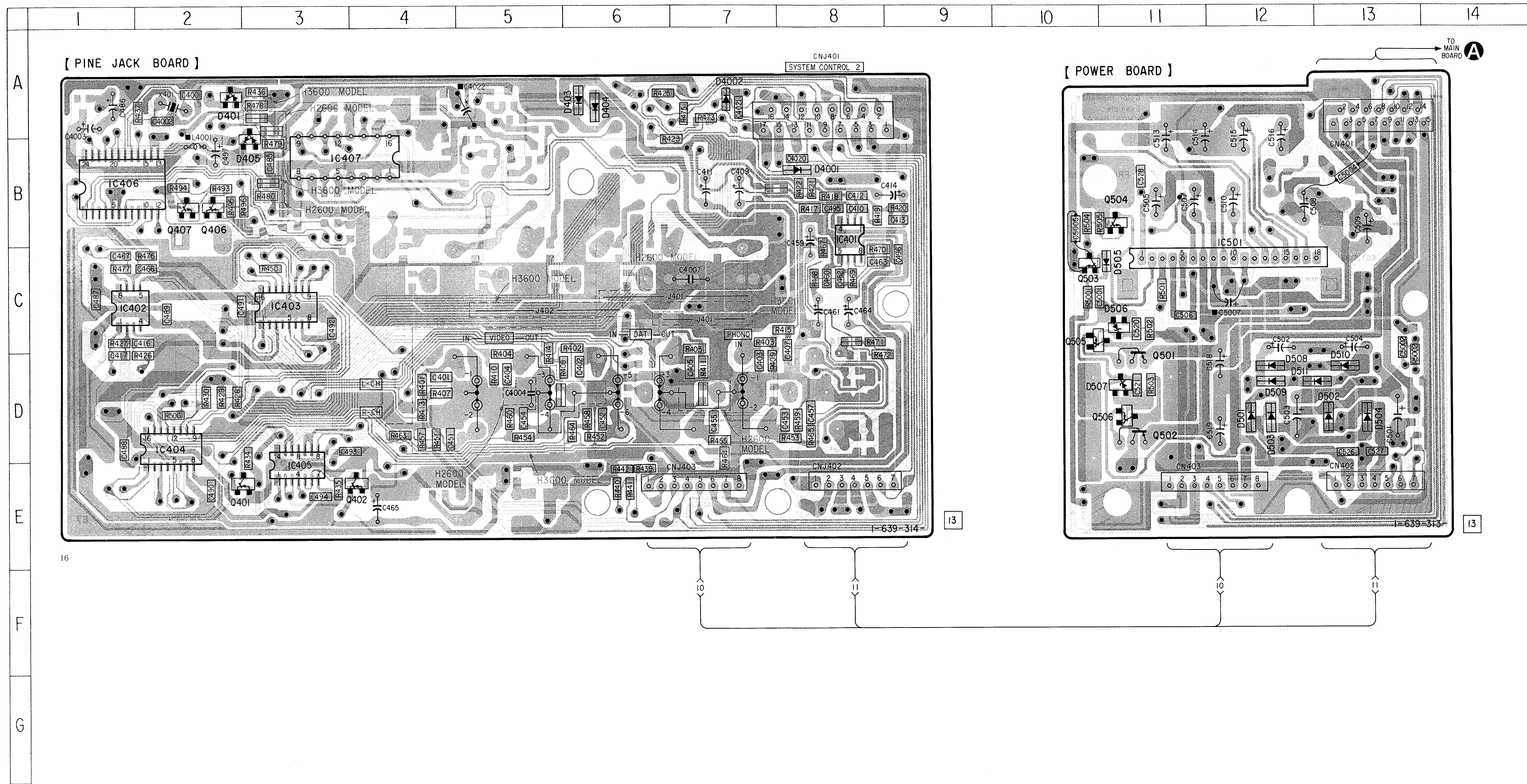
IC BLOCK DIAGRAM



IC407 BA7625







• Semiconductor Location

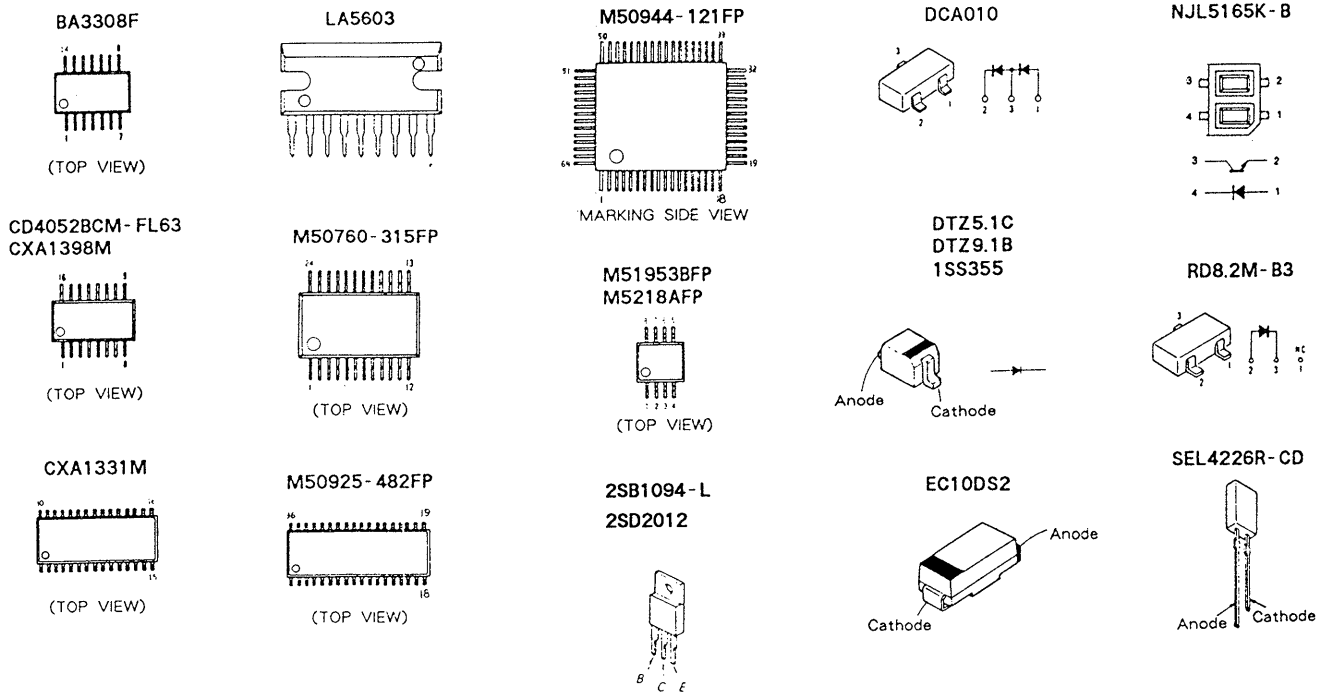
| Ref. No. | Location |
|----------|----------|
| D401     | A-2      |
| D403     | A-6      |
| D404     | A-6      |
| D405     | B-3      |
| D501     | D-12     |
| D502     | D-13     |
| D503     | D-12     |
| D504     | D-13     |
| D505     | C-11     |
| D506     | C-11     |
| D507     | D-11     |
| D508     | D-12     |
| D509     | D-12     |
| D510     | D-13     |
| D511     | D-13     |
| D4001    | B-8      |
| D4002    | A-7      |
| IC401    | C-8      |
| IC402    | C-1      |
| IC403    | C-3      |
| IC404    | D-2      |
| IC405    | F-3      |
| IC406    | B-1      |
| IC501    | C-12     |
| Q401     | E-3      |
| Q402     | E-4      |
| Q406     | B-2      |
| Q407     | B-2      |
| Q501     | D-11     |
| Q502     | D-11     |
| Q503     | C-10     |
| Q504     | B-11     |
| Q505     | C-10     |
| Q506     | D-11     |

**Note on Mounting Diagram:**

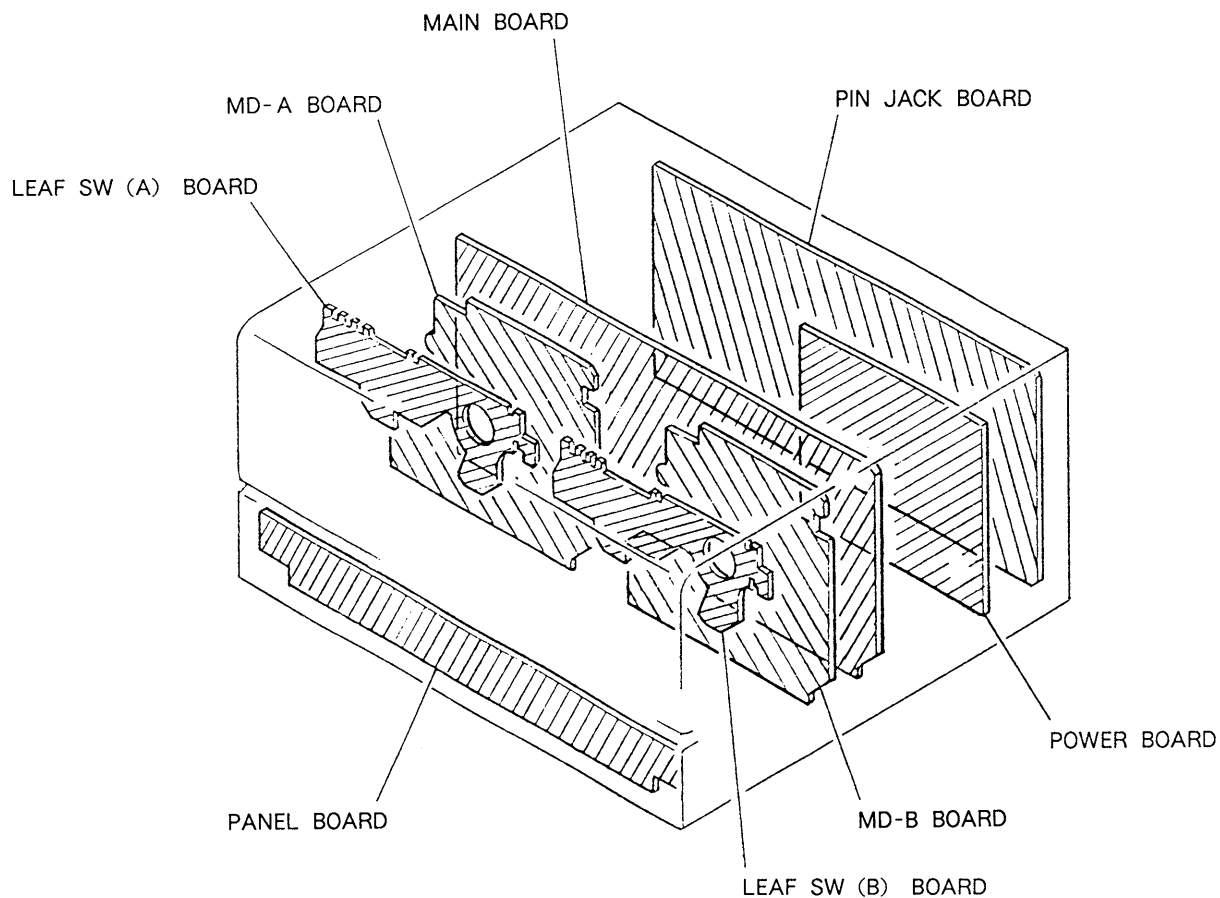
- — : parts extracted from the component side.
- — : parts mounted on the conductor side.
- — : Through hole.
- — : Pattern on the side which is seen.
- — : Pattern of the rear side.



4-7. SEMICONDUCTOR LEAD LAYOUTS



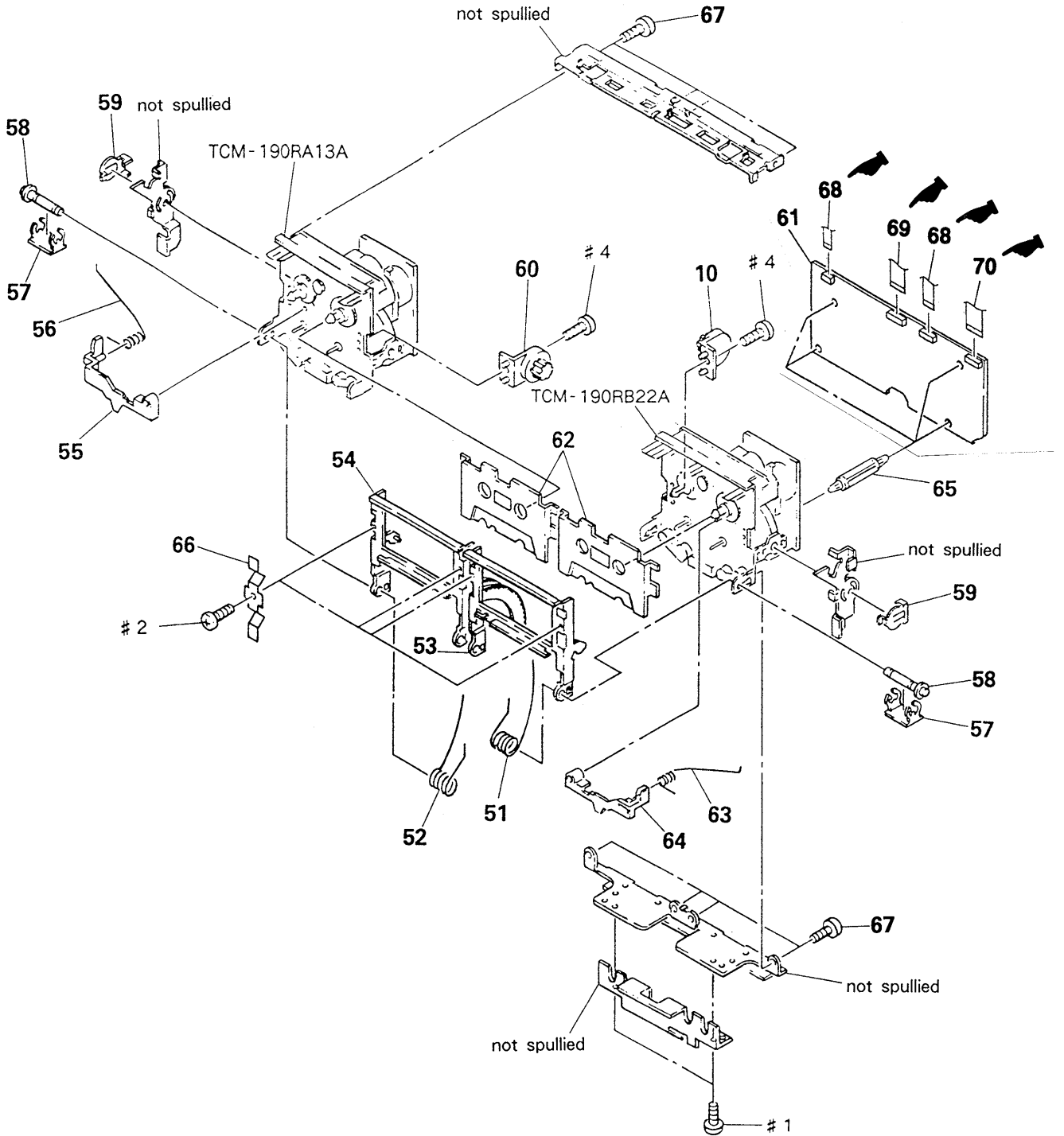
4-8. CIRCUIT BOARDS LOCATION





REVISED

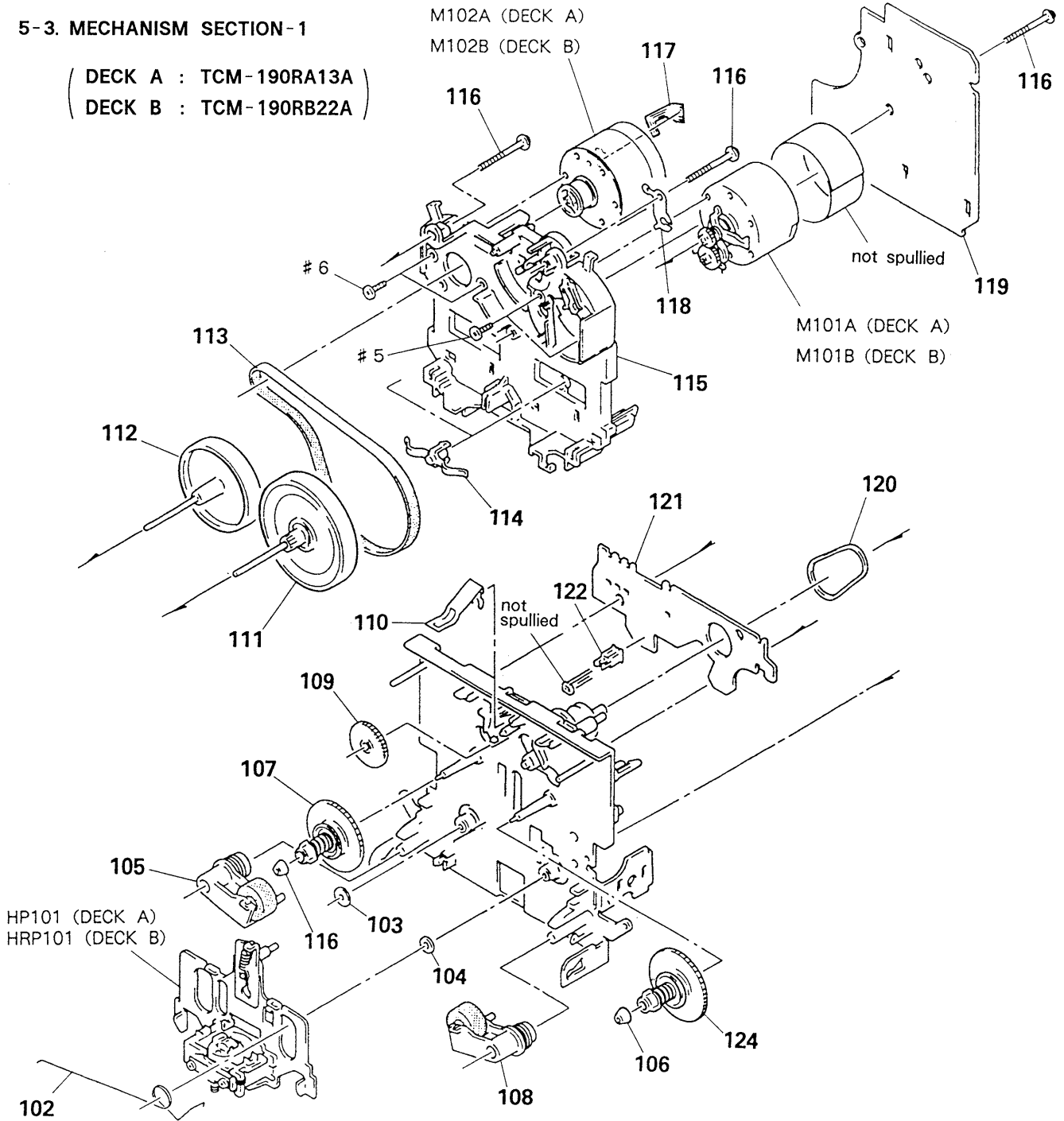
5-2. FRONT PANEL SECTION-2



| Ref. No. | Part No.     | Description                | Remark | Ref. No. | Part No.       | Description                 | Remark |
|----------|--------------|----------------------------|--------|----------|----------------|-----------------------------|--------|
| 51       | 3-354-960-01 | SPRING(LOADING R), TORSION |        | 60       | 3-354-963-01   | DAMPER                      |        |
| 52       | 3-354-959-01 | SPRING(LOADING L), TORSION |        | 61       | * A-2006-407-A | MAIN BOARD                  |        |
| 53       | X-3362-856-1 | HOLDER(R) ASSY, CASSETTE   |        | 62       | 3-367-711-01   | RETAINER, CASSETTE          |        |
| 54       | X-3362-857-1 | HOLDER(L) ASSY, CASSETTE   |        | 63       | 3-354-962-01   | SPRING(EJ SAFTY SPRING R)   |        |
| 55       | 3-354-955-01 | LEVER(EJ SAFTY LEVER L)    |        | 64       | 3-354-956-01   | LEVER(EJ SAFTY LEVER R)     |        |
| 56       | 3-354-961-01 | SPRING(EJ SAFTY SPRING L)  |        | 65       | * 3-682-419-21 | HOLDER, P. C. B             |        |
| 57       | 3-367-720-01 | RING(W), RETAINING         |        | 66       | 3-340-137-01   | SPRING, CASSETTE RETAINER   |        |
| 58       | 3-367-721-01 | SHAFT(FULCRUM SHAFT)       |        | 67       | 4-928-635-01   | SCREW, +BV (2. 6X8) TAPPING |        |
| 59       | 3-354-957-01 | JOINT(LOCK LEVER)          |        | 68       | 1-590-902-11   | 9CONDUCTOR FLAT CABLE       |        |
|          |              |                            |        | 69       | 1-590-904-11   | 12CONDUCTOR FLAT CABLE      |        |
|          |              |                            |        | 70       | 1-590-903-11   | 15CONDUCTOR FLAT CABLE      |        |

5-3. MECHANISM SECTION - 1

( DECK A : TCM-190RA13A )  
 ( DECK B : TCM-190RB22A )

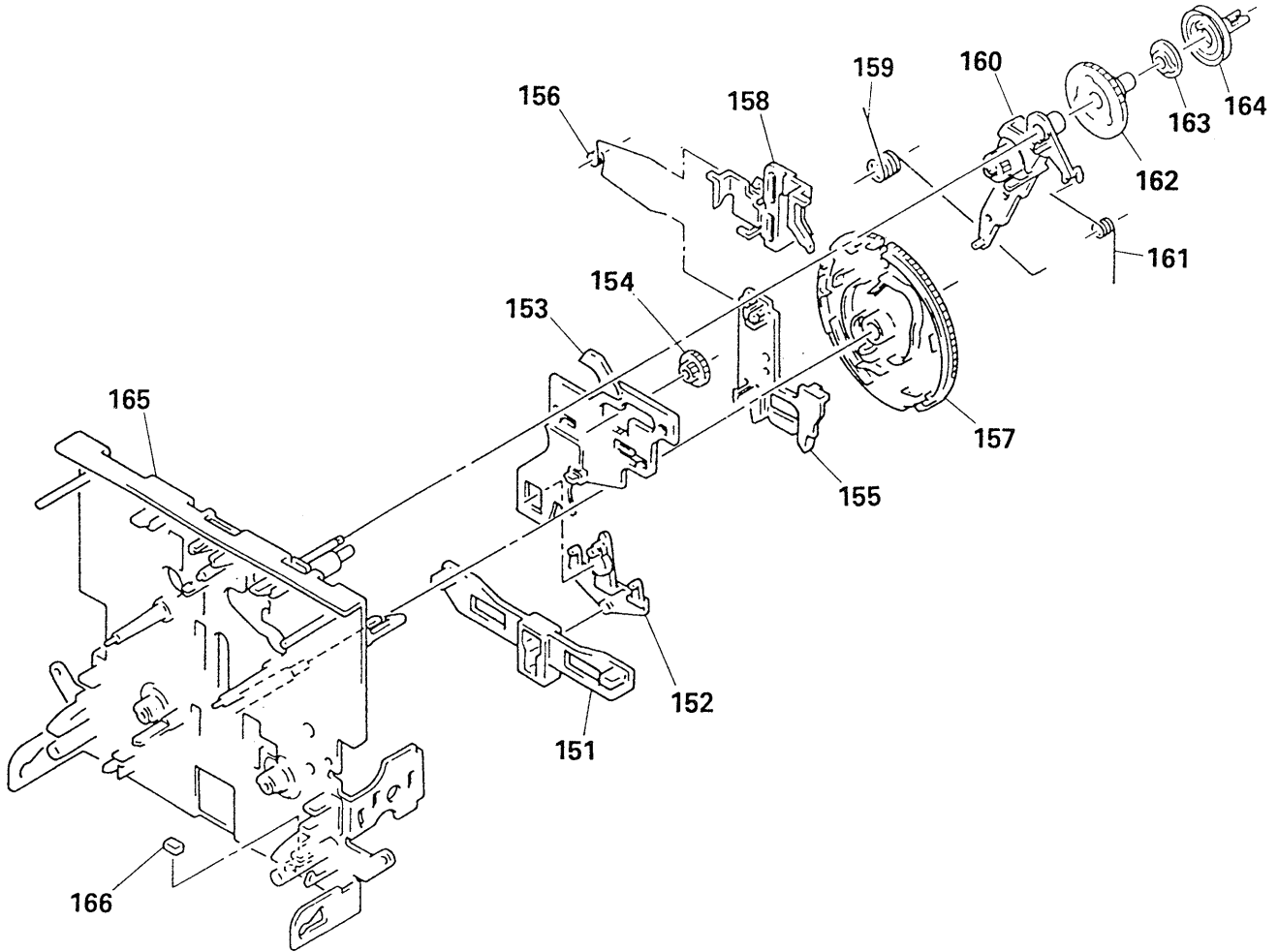


| Ref. No. | Part No.       | Description                      | Remark | Ref. No. | Part No.       | Description                         | Remark |
|----------|----------------|----------------------------------|--------|----------|----------------|-------------------------------------|--------|
| 102      | 3-359-455-01   | SPRING, TORSION                  |        | 117      | 1-638-983-11   | PC BOARD, MOTOR FLEXIBLE            |        |
| 103      | 3-356-714-01   | WASHER                           |        | 118      | 3-359-450-01   | PLATE, GROUND                       |        |
| 104      | 3-356-713-01   | WASHER                           |        | 119      | * A-2006-400-A | MD-B BOARD (RB22A) (DECK B)         |        |
| 105      | X-3359-409-1   | LEVER (PINCH LEVER REV) ASSY     |        |          | * A-2006-399-A | MD-A BOARD (RA12A) (DECK A)         |        |
| 106      | 3-362-308-01   | CAP (REEL)                       |        | 120      | 3-359-466-01   | BELT (FR), SQUARE                   |        |
| 107      | X-3362-078-1   | TABLE ASSY (B), REEL             |        | 121      | * 1-634-841-11 | LEAF SW (B) BOARD (RB22A) (DECK B)  |        |
| 108      | X-3359-408-1   | LEVER (PINCH LEVER FWD) ASSY     |        |          | * 1-634-841-11 | LEAF SW (A) BOARD (RA12A) (DECK A)  |        |
| 109      | 3-359-424-01   | GEAR (REV GEAR)                  |        | 122      | 3-343-419-01   | HOLDER (S SENSOR A)                 |        |
| 110      | 3-359-430-01   | SPRING (CASSETTE RETAINER), LEAF |        | 124      | X-3359-404-1   | TABLE ASSY, REEL                    |        |
| 111      | X-3359-406-1   | FLYWHEEL (FWD) COMPLETE ASSY     |        | HP101    | A-2003-868-B   | BASE ASSY, HEAD (DECK A)            |        |
| 112      | X-3359-410-1   | FLYWHEEL (REV) ASSY              |        | HRP101   | A-2003-838-A   | BASE ASSY, HEAD (DECK B)            |        |
| 113      | 3-359-417-01   | BELT (FLAT), CAPSTAN             |        | M101A    | A-2003-474-A   | MOTOR (REEL MOTOR) ASSY (DECK A)    |        |
| 114      | 3-575-321-00   | RETAINER, THRUST, CAPSTAN        |        | M101B    | A-2003-474-A   | MOTOR (REEL MOTOR) ASSY (DECK B)    |        |
| 115      | * 3-359-436-01 | BASE (THRUST RETAINER), FITTING  |        | M102A    | X-3359-417-1   | MOTOR (CAPSTAN MOTOR) ASSY (DECK A) |        |
| 116      | 3-359-414-01   | SCREW (#PTPWH 2X23)              |        | M102B    | X-3359-417-1   | MOTOR (CAPSTAN MOTOR) ASSY (DECK B) |        |

REVISED

5-4. MECHANISM SECTION-2

( DECK A : TCM-190RA13A )  
 ( DECK B : TCM-190RB22A )



| Ref. No. | Part No.       | Description            | Remark | Ref. No. | Part No.     | Description                     | Remark |
|----------|----------------|------------------------|--------|----------|--------------|---------------------------------|--------|
| 151      | * 3-359-425-01 | SLIDER(REVERSE SLIDER) |        | 159      | 3-359-456-01 | SPRING(TRIGGER SPRING), TORSION |        |
| 152      | 3-359-426-01   | LEVER(REVERSE LEVER)   |        | 160      | X-3359-405-1 | LEVER(FR ARM) ASSY              |        |
| 153      | * 3-359-415-01 | SLIDER(TRIGGER SLIDER) |        | 161      | 3-359-453-01 | SPRING(FR ARM), TORSION         |        |
| 154      | 3-359-448-01   | GEAR(TRIGGER)          |        | 162      | 3-359-419-01 | GEAR(FR GEAR)                   |        |
| 155      | * 3-359-427-01 | SLIDER(LEVERSE SLIDER) |        | 163      | 3-359-421-01 | CLUTCH(REEL DISK)               |        |
| 156      | 3-359-454-01   | SPRING, TORSION        |        | 164      | 3-359-418-01 | PULLEY(FR PULLEY)               |        |
| 157      | 3-359-420-01   | GEAR(CAM GEAR)         |        | 165      | X-3363-790-1 | CHASSIS ASSY, MECHANICAL        |        |
| 158      | 3-359-429-01   | SLIDER(BRAKE PLATE)    |        | 166      | 3-359-469-01 | SPACER                          |        |

## SECTION 6

### ELECTRICAL PARTS LIST

|          |       |
|----------|-------|
| MAIN     | PANEL |
| PIN JACK | POWER |

## NOTE :

The components identified by mark  $\Delta$  or dotted line with mark  $\Delta$  are critical for safety. Replace only with part number specified.

Les composants identifiés par une marque  $\Delta$  sont critiques pour la sécurité. Ne les remplacer que par une pièce portant le numéro spécifié.

When indicating parts by reference number, please include the board name.

- Due to standardization, replacements in the parts list may be different from the parts specified in the diagrams or the components used on the set.
- -XX, -X mean standardized parts, so they may have some difference from the original one.
- RESISTORS  
All resistors are in ohms.  
METAL: metal-film resistor  
METAL OXIDE: Metal Oxide-film resistor  
F: nonflammable
- Items marked "\*" are not stocked since they are seldom required for routine service. Some delay should be anticipated when ordering these items.
- SEMICONDUCTORS  
In each case, u:  $\mu$ , for example:  
uA...:  $\mu$ A..., uPA...,  $\mu$ PA...,  
uPB...,  $\mu$ PB..., uPC...,  $\mu$ PC...,  
uPD...,  $\mu$ PD...
- CAPACITORS:  
uF:  $\mu$ F
- COILS  
uH:  $\mu$ H

| Ref. No.       | Part No.                  | Description           | Remark   | Ref. No. | Part No.     | Description           | Remark         |
|----------------|---------------------------|-----------------------|----------|----------|--------------|-----------------------|----------------|
| * A-2006-407-A | MAIN BOARD                | *****                 |          | C215     | 1-164-505-11 | CERAMIC CHIP 2.2uF    | 16V            |
| * A-2006-410-A | PANEL BOARD               | *****                 |          | C216     | 1-163-117-00 | CERAMIC CHIP 100PF    | 5% 50V         |
| * A-2006-411-A | PIN JACK BOARD (H3600)    |                       |          | C351     | 1-126-163-11 | ELECT 4.7uF           | 20% 50V        |
| * A-2006-417-A | PIN JACK BOARD (H2600)    | *****                 |          | C352     | 1-124-638-11 | ELECT 22uF            | 20% 10V        |
| * A-2006-613-A | POWER BOARD               | *****                 |          | C353     | 1-164-232-11 | CERAMIC CHIP 0.01uF   | 50V            |
| * 3-309-144-21 | HEAT SINK                 |                       |          | C354     | 1-164-232-11 | CERAMIC CHIP 0.01uF   | 50V            |
| * 3-367-839-01 | HOLDER, FL TUBE           |                       |          | C401     | 1-163-003-11 | CERAMIC CHIP 330PF    | 10% 50V(H3600) |
| 9-911-863-XX   | SPACER                    |                       |          | C402     | 1-163-003-11 | CERAMIC CHIP 330PF    | 10% 50V        |
| 7-685-646-79   | SCREW +BVTP 3X8 TYPE2 N-S |                       |          | C403     | 1-163-003-11 | CERAMIC CHIP 330PF    | 10% 50V        |
|                | ( CAPACITOR )             |                       |          | C404     | 1-163-003-11 | CERAMIC CHIP 330PF    | 10% 50V(H3600) |
| C101           | 1-136-158-00              | FILM 0.027uF          | 5% 50V   | C405     | 1-163-003-11 | CERAMIC CHIP 330PF    | 10% 50V        |
| C102           | 1-164-161-11              | CERAMIC CHIP 0.0022uF | 10% 100V | C407     | 1-163-117-00 | CERAMIC CHIP 100PF    | 5% 50V         |
| C103           | 1-164-182-11              | CERAMIC CHIP 0.0033uF | 10% 50V  | C409     | 1-124-465-00 | ELECT 0.47uF          | 20% 50V        |
| C104           | 1-130-475-00              | MYLAR 0.0022uF        | 5% 50V   | C410     | 1-163-125-00 | CERAMIC CHIP 220PF    | 5% 50V         |
| C105           | 1-130-475-00              | MYLAR 0.0022uF        | 5% 50V   | C411     | 1-126-163-11 | ELECT 4.7uF           | 20% 50V        |
| C106           | 1-164-505-11              | CERAMIC CHIP 2.2uF    | 16V      | C412     | 1-163-018-00 | CERAMIC CHIP 0.0056uF | 5% 50V         |
| C107           | 1-136-174-00              | FILM 0.56uF           | 5% 50V   | C413     | 1-163-011-11 | CERAMIC CHIP 0.0015uF | 10% 50V        |
| C108           | 1-136-171-00              | FILM 0.33uF           | 5% 50V   | C414     | 1-124-257-00 | ELECT 2.2uF           | 20% 50V        |
| C109           | 1-164-505-11              | CERAMIC CHIP 2.2uF    | 16V      | C416     | 1-163-117-00 | CERAMIC CHIP 100PF    | 5% 50V         |
| C110           | 1-163-117-00              | CERAMIC CHIP 100PF    | 5% 50V   | C417     | 1-163-117-00 | CERAMIC CHIP 100PF    | 5% 50V         |
| C111           | 1-164-005-11              | CERAMIC CHIP 0.47uF   | 25V      | C451     | 1-163-003-11 | CERAMIC CHIP 330PF    | 10% 50V(H3600) |
| C112           | 1-164-505-11              | CERAMIC CHIP 2.2uF    | 16V      | C452     | 1-163-003-11 | CERAMIC CHIP 330PF    | 10% 50V        |
| C113           | 1-163-117-00              | CERAMIC CHIP 100PF    | 5% 50V   | C453     | 1-163-003-11 | CERAMIC CHIP 330PF    | 10% 50V        |
| C114           | 1-164-505-11              | CERAMIC CHIP 2.2uF    | 16V      | C454     | 1-163-003-11 | CERAMIC CHIP 330PF    | 10% 50V(H3600) |
| C115           | 1-164-505-11              | CERAMIC CHIP 2.2uF    | 16V      | C455     | 1-163-003-11 | CERAMIC CHIP 330PF    | 10% 50V        |
| C116           | 1-163-117-00              | CERAMIC CHIP 100PF    | 5% 50V   | C457     | 1-163-117-00 | CERAMIC CHIP 100PF    | 5% 50V         |
| C201           | 1-136-158-00              | FILM 0.027uF          | 5% 50V   | C459     | 1-124-465-00 | ELECT 0.47uF          | 20% 50V        |
| C202           | 1-164-161-11              | CERAMIC CHIP 0.0022uF | 10% 100V | C460     | 1-163-125-00 | CERAMIC CHIP 220PF    | 5% 50V         |
| C203           | 1-164-182-11              | CERAMIC CHIP 0.0033uF | 10% 50V  | C461     | 1-126-163-11 | ELECT 4.7uF           | 20% 50V        |
| C204           | 1-130-475-00              | MYLAR 0.0022uF        | 5% 50V   | C462     | 1-163-018-00 | CERAMIC CHIP 0.0056uF | 5% 50V         |
| C205           | 1-130-475-00              | MYLAR 0.0022uF        | 5% 50V   | C463     | 1-163-011-11 | CERAMIC CHIP 0.0015uF | 10% 50V        |
| C206           | 1-164-505-11              | CERAMIC CHIP 2.2uF    | 16V      | C464     | 1-124-257-00 | ELECT 2.2uF           | 20% 50V        |
| C207           | 1-136-174-00              | FILM 0.56uF           | 5% 50V   | C466     | 1-163-117-00 | CERAMIC CHIP 100PF    | 5% 50V         |
| C208           | 1-136-171-00              | FILM 0.33uF           | 5% 50V   | C467     | 1-163-117-00 | CERAMIC CHIP 100PF    | 5% 50V         |
| C209           | 1-164-505-11              | CERAMIC CHIP 2.2uF    | 16V      | C485     | 1-164-232-11 | CERAMIC CHIP 0.01uF   | 50V            |
| C210           | 1-163-117-00              | CERAMIC CHIP 100PF    | 5% 50V   | C486     | 1-126-157-11 | ELECT 10uF            | 20% 16V        |
| C211           | 1-164-005-11              | CERAMIC CHIP 0.47uF   | 25V      | C487     | 1-164-232-11 | CERAMIC CHIP 0.01uF   | 50V            |
| C212           | 1-164-505-11              | CERAMIC CHIP 2.2uF    | 16V      | C488     | 1-164-232-11 | CERAMIC CHIP 0.01uF   | 50V            |
| C213           | 1-163-117-00              | CERAMIC CHIP 100PF    | 5% 50V   | C489     | 1-164-232-11 | CERAMIC CHIP 0.01uF   | 50V            |
| C214           | 1-164-505-11              | CERAMIC CHIP 2.2uF    | 16V      | C490     | 1-164-232-11 | CERAMIC CHIP 0.01uF   | 50V            |
|                |                           |                       |          | C491     | 1-164-232-11 | CERAMIC CHIP 0.01uF   | 50V            |
|                |                           |                       |          | C492     | 1-164-232-11 | CERAMIC CHIP 0.01uF   | 50V            |
|                |                           |                       |          | C493     | 1-164-232-11 | CERAMIC CHIP 0.01uF   | 50V            |
|                |                           |                       |          | C494     | 1-164-232-11 | CERAMIC CHIP 0.01uF   | 50V            |
|                |                           |                       |          | C495     | 1-164-232-11 | CERAMIC CHIP 0.01uF   | 50V            |

**MAIN**   **PANEL**   **PIN JACK**   **POWER**

| Ref. No. | Part No.     | Description  | Remark          | Ref. No. | Part No.       | Description                             | Remark          |
|----------|--------------|--------------|-----------------|----------|----------------|---|-----------------|
| C496     | 1-164-232-11 | CERAMIC CHIP | 0.01uF 50V      | C4020    | 1-163-037-11   | CERAMIC CHIP                            | 0.022uF 10% 25V |
| C497     | 1-126-301-11 | ELECT        | 1uF 20% 50V     | C4021    | 1-163-037-11   | CERAMIC CHIP                            | 0.022uF 10% 25V |
| C501     | 1-124-556-11 | ELECT        | 2200uF 20% 16V  | C4022    | 1-124-589-11   | ELECT                                   | 47uF 20% 16V    |
| C502     | 1-124-556-11 | ELECT        | 2200uF 20% 16V  | C5001    | 1-163-009-11   | CERAMIC CHIP                            | 0.001uF 10% 50V |
| C503     | 1-124-360-00 | ELECT        | 1000uF 20% 16V  | C5002    | 1-163-009-11   | CERAMIC CHIP                            | 0.001uF 10% 50V |
| C504     | 1-124-556-11 | ELECT        | 2200uF 20% 16V  | C5004    | 1-163-037-11   | CERAMIC CHIP                            | 0.022uF 10% 25V |
| C505     | 1-126-023-11 | ELECT        | 100uF 20% 16V   | C5005    | 1-164-232-11   | CERAMIC CHIP                            | 0.01uF 50V      |
| C506     | 1-163-038-00 | CERAMIC CHIP | 0.1uF 25V       | C5007    | 1-124-903-11   | ELECT                                   | 1uF 20% 50V     |
| C507     | 1-124-903-11 | ELECT        | 1uF 20% 50V     | C6008    | 1-163-038-00   | CERAMIC CHIP                            | 0.1uF 25V       |
| C508     | 1-124-472-11 | ELECT        | 470uF 20% 10V   | C6009    | 1-163-038-00   | CERAMIC CHIP                            | 0.1uF 25V       |
| C509     | 1-124-472-11 | ELECT        | 470uF 20% 10V   | C6010    | 1-163-038-00   | CERAMIC CHIP                            | 0.1uF 25V       |
| C510     | 1-126-023-11 | ELECT        | 100uF 20% 16V   | C6011    | 1-163-129-00   | CERAMIC CHIP                            | 330PF 5% 50V    |
| C511     | 1-124-903-11 | ELECT        | 1uF 20% 50V     | C6012    | 1-163-129-00   | CERAMIC CHIP                            | 330PF 5% 50V    |
| C512     | 1-124-477-11 | ELECT        | 47uF 20% 25V    | C6013    | 1-126-023-11   | ELECT                                   | 100uF 20% 16V   |
| C513     | 1-124-903-11 | ELECT        | 1uF 20% 50V     | C6020    | 1-163-141-00   | CERAMIC CHIP                            | 0.001uF 5% 50V  |
| C514     | 1-124-472-11 | ELECT        | 470uF 20% 10V   | C6021    | 1-163-141-00   | CERAMIC CHIP                            | 0.001uF 5% 50V  |
| C515     | 1-124-477-11 | ELECT        | 47uF 20% 25V    | C6022    | 1-164-346-11   | CERAMIC CHIP                            | 1uF 16V         |
| C516     | 1-124-903-11 | ELECT        | 1uF 20% 50V     | C6026    | 1-163-141-00   | CERAMIC CHIP                            | 0.001uF 5% 50V  |
| C518     | 1-124-473-11 | ELECT        | 1000uF 20% 10V  | C6027    | 1-163-141-00   | CERAMIC CHIP                            | 0.001uF 5% 50V  |
| C519     | 1-124-473-11 | ELECT        | 1000uF 20% 10V  | C6029    | 1-163-141-00   | CERAMIC CHIP                            | 0.001uF 5% 50V  |
| C520     | 1-163-038-00 | CERAMIC CHIP | 0.1uF 25V       | C6030    | 1-163-141-00   | CERAMIC CHIP                            | 0.001uF 5% 50V  |
| C521     | 1-163-038-00 | CERAMIC CHIP | 0.1uF 25V       | C6031    | 1-163-038-00   | CERAMIC CHIP                            | 0.1uF 25V       |
| C526     | 1-163-037-11 | CERAMIC CHIP | 0.022uF 10% 25V | C6035    | 1-163-141-00   | CERAMIC CHIP                            | 0.001uF 5% 50V  |
| C527     | 1-163-037-11 | CERAMIC CHIP | 0.022uF 10% 25V |          |                | ( CONNECTOR )                           |                 |
| C528     | 1-164-232-11 | CERAMIC CHIP | 0.01uF 50V      | CN351    | 1-580-883-21   | SOCKET, CONNECTOR (SMT) 12P             |                 |
| C601     | 1-164-346-11 | CERAMIC CHIP | 1uF 16V         | CN401    | 1-568-834-11   | SOCKET, CONNECTOR 15P                   |                 |
| C602     | 1-164-346-11 | CERAMIC CHIP | 1uF 16V         | CN402    | * 1-573-187-11 | SOCKET, CONNECTOR 7P                    |                 |
| C603     | 1-164-346-11 | CERAMIC CHIP | 1uF 16V         | CN403    | 1-573-388-11   | SOCKET, CONNECTOR 8P                    |                 |
| C604     | 1-164-346-11 | CERAMIC CHIP | 1uF 16V         | CN601    | 1-573-101-11   | SOCKET, CONNECTOR 9P                    |                 |
| C605     | 1-164-346-11 | CERAMIC CHIP | 1uF 16V         | CN602    | 1-580-783-11   | PLUG, CONNECTOR                         |                 |
| C606     | 1-164-346-11 | CERAMIC CHIP | 1uF 16V         | CN603    | 1-573-101-11   | SOCKET, CONNECTOR 9P                    |                 |
| C607     | 1-164-346-11 | CERAMIC CHIP | 1uF 16V         | CN604    | 1-580-783-11   | PLUG, CONNECTOR                         |                 |
| C608     | 1-164-505-11 | CERAMIC CHIP | 2.2uF 16V       | CN605    | * 1-568-858-11 | SOCKET, CONNECTOR 15P                   |                 |
| C609     | 1-163-141-00 | CERAMIC CHIP | 0.001uF 5% 50V  | CN606    | 1-568-795-11   | SOCKET, CONNECTOR 12P                   |                 |
| C610     | 1-163-038-00 | CERAMIC CHIP | 0.1uF 25V       | CN607    | 1-580-783-11   | PLUG, CONNECTOR                         |                 |
| C611     | 1-163-117-00 | CERAMIC CHIP | 100PF 5% 50V    | CNJ401   | * 1-580-740-11 | SOCKET, CONNECTOR 17P(SYSTEM CONTROL 2) |                 |
| C612     | 1-164-222-11 | CERAMIC CHIP | 0.22uF 25V      |          |                | ( DIODE )                               |                 |
| C615     | 1-163-038-00 | CERAMIC CHIP | 0.1uF 25V       | D301     | 8-719-312-30   | DIODE SEL4226R-CD                       |                 |
| C616     | 1-163-141-00 | CERAMIC CHIP | 0.001uF 5% 50V  | D302     | 8-719-312-30   | DIODE SEL4226R-CD                       |                 |
| C617     | 1-124-472-11 | ELECT        | 470uF 20% 10V   | D401     | 8-719-990-36   | DIODE DCA010                            |                 |
| C618     | 1-163-038-00 | CERAMIC CHIP | 0.1uF 25V       | D403     | 8-719-210-33   | DIODE EC10DS2                           |                 |
| C619     | 1-163-141-00 | CERAMIC CHIP | 0.001uF 5% 50V  | D404     | 8-719-210-33   | DIODE EC10DS2                           |                 |
| C620     | 1-164-232-11 | CERAMIC CHIP | 0.01uF 50V      | D405     | 8-719-990-36   | DIODE DCA010                            |                 |
| C621     | 1-164-232-11 | CERAMIC CHIP | 0.01uF 50V      | D501     | 8-719-210-33   | DIODE EC10DS2                           |                 |
| C622     | 1-124-472-11 | ELECT        | 470uF 20% 10V   | D502     | 8-719-210-33   | DIODE EC10DS2                           |                 |
| C623     | 1-163-038-00 | CERAMIC CHIP | 0.1uF 25V       | D503     | 8-719-210-33   | DIODE EC10DS2                           |                 |
| C624     | 1-124-472-11 | ELECT        | 470uF 20% 10V   | D504     | 8-719-210-33   | DIODE EC10DS2                           |                 |
| C625     | 1-126-059-11 | ELECT        | 10uF 20% 50V    | D505     | 8-719-988-62   | DIODE 1SS355                            |                 |
| C626     | 1-126-059-11 | ELECT        | 10uF 20% 50V    | D506     | 8-719-106-36   | DIODE RD8. 2M-B3                        |                 |
| C629     | 1-126-157-11 | ELECT        | 10uF 20% 16V    | D507     | 8-719-106-36   | DIODE RD8. 2M-B3                        |                 |
| C632     | 1-136-594-11 | FILM         | 0.018uF 5% 100V | D508     | 8-719-210-33   | DIODE EC10DS2                           |                 |
| C633     | 1-124-234-00 | ELECT        | 22uF 20% 16V    | D509     | 8-719-210-33   | DIODE EC10DS2                           |                 |
| C639     | 1-163-038-00 | CERAMIC CHIP | 0.1uF 25V       | D510     | 8-719-210-33   | DIODE EC10DS2                           |                 |
| C862     | 1-163-038-00 | CERAMIC CHIP | 0.1uF 25V       | D511     | 8-719-210-33   | DIODE EC10DS2                           |                 |
| C4001    | 1-163-119-00 | CERAMIC CHIP | 120PF 5% 50V    | D601     | 8-719-977-24   | DIODE DTZ9. 1B                          |                 |
| C4002    | 1-163-119-00 | CERAMIC CHIP | 120PF 5% 50V    | D602     | 8-719-988-62   | DIODE 1SS355                            |                 |
| C4003    | 1-124-589-11 | ELECT        | 47uF 20% 16V    | D603     | 8-719-988-62   | DIODE 1SS355                            |                 |
| C4004    | 1-101-005-00 | CERAMIC      | 22000PF 50V     |          |                |   |                 |
| C4007    | 1-101-005-00 | CERAMIC      | 22000PF 50V     |          |                |   |                 |

|      |       |          |       |
|------|-------|----------|-------|
| MAIN | PANEL | PIN JACK | POWER |
|------|-------|----------|-------|

| Ref. No. | Part No.       | Description                             | Remark          | Ref. No. | Part No.     | Description          | Remark   |
|----------|----------------|---|-----------------|----------|--------------|----------------------|----------|
| D604     | 8-719-210-33   | DIODE EC10DS2                           |                 | Q201     | 8-729-805-41 | TRANSISTOR 2SC3398   |          |
| D605     | 8-719-988-62   | DIODE 1SS355                            |                 | Q202     | 8-729-805-42 | TRANSISTOR 2SC3859   |          |
| D606     | 8-719-977-20   | DIODE DTZ5.1C                           |                 | Q401     | 8-729-805-65 | TRANSISTOR 2SA1344   |          |
| D607     | 8-719-210-33   | DIODE EC10DS2                           |                 | Q402     | 8-729-805-65 | TRANSISTOR 2SA1344   |          |
| D608     | 8-719-210-33   | DIODE EC10DS2                           |                 | Q406     | 8-729-602-36 | TRANSISTOR 2SA1602-F |          |
| D4001    | 8-719-988-62   | DIODE 1SS355                            |                 | Q407     | 8-729-602-21 | TRANSISTOR 2SC4154-F |          |
| D4002    | 8-719-988-62   | DIODE 1SS355                            |                 | Q501     | 8-729-209-15 | TRANSISTOR 2SD2012   |          |
| D6010    | 8-719-988-62   | DIODE 1SS355                            |                 | Q502     | 8-729-111-67 | TRANSISTOR 2SB1094-L |          |
| D6011    | 8-719-988-62   | DIODE 1SS355                            |                 | Q503     | 8-729-805-65 | TRANSISTOR 2SA1344   |          |
| D6012    | 8-719-988-62   | DIODE 1SS355                            |                 | Q504     | 8-729-602-21 | TRANSISTOR 2SC4154-F |          |
|          |                | 〈 INDICATOR 〉                           |                 | Q505     | 8-729-602-21 | TRANSISTOR 2SC4154-F |          |
| FL351    | 1-519-638-11   | INDICATOR TUBE, FLUORESCENT             |                 | Q506     | 8-729-602-36 | TRANSISTOR 2SA1602-F |          |
|          |                | 〈 IC 〉                                  |                 | Q601     | 8-729-805-65 | TRANSISTOR 2SA1344   |          |
| IC101    | 8-759-300-71   | IC HD14053BFP                           |                 | Q602     | 8-729-805-65 | TRANSISTOR 2SA1344   |          |
| IC102    | 8-752-055-08   | IC CXA1331M                             |                 | Q603     | 8-729-805-41 | TRANSISTOR 2SC3398   |          |
| IC103    | 8-752-056-00   | IC CXA1398M                             |                 | Q604     | 8-729-805-65 | TRANSISTOR 2SA1344   |          |
| IC104    | 8-759-636-55   | IC M5218AFP                             |                 | Q605     | 8-729-805-69 | TRANSISTOR 2SA1341   |          |
| IC105    | 8-759-516-47   | IC CD4066BCM-FL63                       |                 | Q606     | 8-729-805-45 | TRANSISTOR 2SC3395   |          |
| IC106    | 8-759-998-71   | IC BA3308F                              |                 | Q607     | 8-729-805-65 | TRANSISTOR 2SA1344   |          |
| IC351    | 8-759-323-35   | IC HD-614023                            |                 | Q608     | 8-729-805-65 | TRANSISTOR 2SA1344   |          |
| IC401    | 8-759-636-55   | IC M5218AFP                             |                 | Q609     | 8-729-805-41 | TRANSISTOR 2SC3398   |          |
| IC402    | 8-759-636-55   | IC M5218AFP                             |                 | Q611     | 8-729-805-65 | TRANSISTOR 2SA1344   |          |
| IC403    | 8-759-009-05   | IC MC14051BF                            |                 | Q612     | 8-729-805-41 | TRANSISTOR 2SC3398   |          |
| IC404    | 8-759-009-05   | IC MC14051BF                            |                 | Q613     | 8-729-805-41 | TRANSISTOR 2SC3398   |          |
| IC405    | 8-759-516-47   | IC CD4066BCM                            |                 | Q616     | 8-729-804-41 | TRANSISTOR 2SB1122-S |          |
| IC406    | 8-759-636-35   | IC M50760-315FP                         |                 | Q617     | 8-729-804-41 | TRANSISTOR 2SB1122-S |          |
| IC501    | 8-759-823-46   | IC LA5603                               |                 | Q619     | 8-729-808-01 | TRANSISTOR 2SD1622-S |          |
| IC601    | 8-759-636-37   | IC M50944-121FP                         |                 | Q620     | 8-729-808-01 | TRANSISTOR 2SD1622-S |          |
| IC602    | 8-759-636-67   | IC M50925-482FP                         |                 | Q6005    | 8-729-805-41 | TRANSISTOR 2SC3398   |          |
| IC603    | 8-759-207-05   | IC TA7272P                              |                 |          |              | 〈 RESISTOR 〉         |          |
| IC604    | 8-759-636-55   | IC M5218AFP                             |                 | R101     | 1-216-089-00 | METAL CHIP 47K       | 5% 1/10W |
| IC605    | 8-759-516-41   | IC CD4052BCM-FL63                       |                 | R102     | 1-216-089-00 | METAL CHIP 47K       | 5% 1/10W |
| IC6001   | 8-759-634-43   | IC M51953BFP                            |                 | R103     | 1-216-057-00 | METAL CHIP 2.2K      | 5% 1/10W |
|          |                | 〈 JACK 〉                                |                 | R104     | 1-216-057-00 | METAL CHIP 2.2K      | 5% 1/10W |
| J401     | 1-565-304-11   | JACK, PIN 4P (PHONO IN/DAT OUT) (H3600) |                 | R105     | 1-216-077-00 | METAL CHIP 15K       | 5% 1/10W |
| J401     | * 1-569-812-11 | JACK, PIN 6P (PHONO/DAT) (H2600)        |                 | R106     | 1-216-058-00 | METAL GLAZE 2.4K     | 5% 1/10W |
| J402     | * 1-569-812-11 | JACK, PIN 6P (DAT IN/VIDEO) (H3600)     |                 | R107     | 1-216-082-00 | METAL GLAZE 24K      | 5% 1/10W |
|          |                | 〈 JUMPER 〉                              |                 | R108     | 1-216-043-00 | METAL CHIP 560       | 5% 1/10W |
| JW1      | 1-216-295-00   | METAL CHIP 0                            | 5% 1/10W(H2600) | R109     | 1-216-073-00 | METAL CHIP 10K       | 5% 1/10W |
| JW2      | 1-216-295-00   | METAL CHIP 0                            | 5% 1/10W(H2600) | R110     | 1-216-057-00 | METAL CHIP 2.2K      | 5% 1/10W |
| JW3      | 1-216-295-00   | METAL CHIP 0                            | 5% 1/10W(H3600) | R111     | 1-216-097-00 | METAL CHIP 100K      | 5% 1/10W |
| JW8      | 1-216-295-00   | METAL CHIP 0                            | 5% 1/10W        | R112     | 1-216-065-00 | METAL CHIP 4.7K      | 5% 1/10W |
| JW10     | 1-216-295-00   | METAL CHIP 0                            | 5% 1/10W        | R113     | 1-216-089-00 | METAL CHIP 47K       | 5% 1/10W |
| JW12     | 1-216-295-00   | METAL CHIP 0                            | 5% 1/10W(H3600) | R114     | 1-216-068-00 | METAL CHIP 6.2K      | 5% 1/10W |
| JW14     | 1-216-295-00   | METAL CHIP 0                            | 5% 1/10W(H2600) | R115     | 1-216-081-00 | METAL CHIP 22K       | 5% 1/10W |
|          |                | 〈 COIL 〉                                |                 | R116     | 1-216-079-00 | METAL CHIP 18K       | 5% 1/10W |
| L601     | 1-410-761-11   | INDUCTOR 0.68mH                         |                 | R117     | 1-216-049-00 | METAL CHIP 1K        | 5% 1/10W |
| L602     | 1-410-757-21   | INDUCTOR 0.33mH                         |                 | R118     | 1-216-105-00 | METAL CHIP 220K      | 5% 1/10W |
| L4001    | 1-408-777-00   | INDUCTOR CHIP 10uH                      |                 | R119     | 1-216-065-00 | METAL CHIP 4.7K      | 5% 1/10W |
| L6001    | 1-410-482-31   | INDUCTOR 100uH                          |                 | R120     | 1-216-093-00 | METAL CHIP 68K       | 5% 1/10W |
| L6002    | 1-408-777-00   | INDUCTOR CHIP 10uH                      |                 | R121     | 1-216-295-00 | METAL CHIP 0         | 5% 1/10W |
|          |                | 〈 TRANSISTOR 〉                          |                 | R201     | 1-216-089-00 | METAL CHIP 47K       | 5% 1/10W |
| Q101     | 8-729-805-41   | TRANSISTOR 2SC3398                      |                 | R202     | 1-216-089-00 | METAL CHIP 47K       | 5% 1/10W |
| Q102     | 8-729-805-42   | TRANSISTOR 2SC3859                      |                 | R203     | 1-216-057-00 | METAL CHIP 2.2K      | 5% 1/10W |
|          |                |   |                 | R204     | 1-216-057-00 | METAL CHIP 2.2K      | 5% 1/10W |
|          |                |   |                 | R205     | 1-216-077-00 | METAL CHIP 15K       | 5% 1/10W |
|          |                |   |                 | R206     | 1-216-058-00 | METAL GLAZE 2.4K     | 5% 1/10W |
|          |                |   |                 | R207     | 1-216-082-00 | METAL GLAZE 24K      | 5% 1/10W |
|          |                |   |                 | R208     | 1-216-043-00 | METAL CHIP 560       | 5% 1/10W |



|      |       |          |       |
|------|-------|----------|-------|
| MAIN | PANEL | PIN JACK | POWER |
|------|-------|----------|-------|

| Ref. No. | Part No.     | Description     | Remark          | Ref. No. | Part No.     | Description     | Remark          |
|----------|--------------|-----------------|-----------------|----------|--------------|-----------------|-----------------|
| R209     | 1-216-073-00 | METAL CHIP 10K  | 5% 1/10W        | R427     | 1-216-089-00 | METAL CHIP 47K  | 5% 1/10W        |
| R210     | 1-216-057-00 | METAL CHIP 2.2K | 5% 1/10W        | R428     | 1-216-089-00 | METAL CHIP 47K  | 5% 1/10W        |
| R211     | 1-216-097-00 | METAL CHIP 100K | 5% 1/10W        | R429     | 1-216-089-00 | METAL CHIP 47K  | 5% 1/10W        |
| R212     | 1-216-065-00 | METAL CHIP 4.7K | 5% 1/10W        | R430     | 1-216-089-00 | METAL CHIP 47K  | 5% 1/10W        |
| R213     | 1-216-089-00 | METAL CHIP 47K  | 5% 1/10W        | R434     | 1-216-073-00 | METAL CHIP 10K  | 5% 1/10W        |
| R214     | 1-216-068-00 | METAL CHIP 6.2K | 5% 1/10W        | R435     | 1-216-073-00 | METAL CHIP 10K  | 5% 1/10W        |
| R215     | 1-216-081-00 | METAL CHIP 22K  | 5% 1/10W        | R436     | 1-216-089-00 | METAL CHIP 47K  | 5% 1/10W        |
| R216     | 1-216-079-00 | METAL CHIP 18K  | 5% 1/10W        | R437     | 1-216-121-00 | METAL CHIP 1M   | 5% 1/10W        |
| R217     | 1-216-049-00 | METAL CHIP 1K   | 5% 1/10W        | R439     | 1-216-295-00 | METAL CHIP 0    | 5% 1/10W        |
| R218     | 1-216-105-00 | METAL CHIP 220K | 5% 1/10W        | R440     | 1-216-089-00 | METAL CHIP 47K  | 5% 1/10W        |
| R219     | 1-216-065-00 | METAL CHIP 4.7K | 5% 1/10W        | R441     | 1-216-295-00 | METAL CHIP 0    | 5% 1/10W        |
| R220     | 1-216-093-00 | METAL CHIP 68K  | 5% 1/10W        | R442     | 1-216-089-00 | METAL CHIP 47K  | 5% 1/10W        |
| R221     | 1-216-295-00 | METAL CHIP 0    | 5% 1/10W        | R450     | 1-216-065-00 | METAL CHIP 4.7K | 5% 1/10W        |
| R351     | 1-216-029-00 | METAL CHIP 150  | 5% 1/10W        | R451     | 1-216-049-00 | METAL CHIP 1K   | 5% 1/10W(H3600) |
| R352     | 1-216-033-00 | METAL CHIP 220  | 5% 1/10W        | R452     | 1-216-049-00 | METAL CHIP 1K   | 5% 1/10W        |
| R353     | 1-216-037-00 | METAL CHIP 330  | 5% 1/10W        | R453     | 1-216-049-00 | METAL CHIP 1K   | 5% 1/10W        |
| R354     | 1-216-041-00 | METAL CHIP 470  | 5% 1/10W        | R454     | 1-216-041-00 | METAL CHIP 470  | 5% 1/10W(H3600) |
| R355     | 1-216-045-00 | METAL CHIP 680  | 5% 1/10W        | R455     | 1-216-041-00 | METAL CHIP 470  | 5% 1/10W        |
| R356     | 1-216-049-00 | METAL CHIP 1K   | 5% 1/10W        | R457     | 1-216-115-00 | METAL CHIP 560K | 5% 1/10W(H3600) |
| R357     | 1-216-067-00 | METAL CHIP 5.6K | 5% 1/10W        | R458     | 1-216-115-00 | METAL CHIP 560K | 5% 1/10W        |
| R359     | 1-216-045-00 | METAL CHIP 680  | 5% 1/10W        | R459     | 1-216-115-00 | METAL CHIP 560K | 5% 1/10W        |
| R362     | 1-216-041-00 | METAL CHIP 470  | 5% 1/10W        | R460     | 1-216-115-00 | METAL CHIP 560K | 5% 1/10W(H3600) |
| R363     | 1-216-045-00 | METAL CHIP 680  | 5% 1/10W        | R461     | 1-216-115-00 | METAL CHIP 560K | 5% 1/10W        |
| R364     | 1-216-049-00 | METAL CHIP 1K   | 5% 1/10W        | R463     | 1-216-295-00 | METAL CHIP 0    | 5% 1/10W(H3600) |
| R365     | 1-216-055-00 | METAL CHIP 1.8K | 5% 1/10W        | R464     | 1-216-061-00 | METAL CHIP 3.3K | 5% 1/10W        |
| R366     | 1-216-063-00 | METAL CHIP 3.9K | 5% 1/10W        | R465     | 1-216-049-00 | METAL CHIP 1K   | 5% 1/10W        |
| R367     | 1-216-089-00 | METAL CHIP 47K  | 5% 1/10W        | R467     | 1-216-089-00 | METAL CHIP 47K  | 5% 1/10W        |
| R368     | 1-216-089-00 | METAL CHIP 47K  | 5% 1/10W        | R468     | 1-216-049-00 | METAL CHIP 1K   | 5% 1/10W        |
| R369     | 1-216-089-00 | METAL CHIP 47K  | 5% 1/10W        | R469     | 1-216-115-00 | METAL CHIP 560K | 5% 1/10W        |
| R372     | 1-216-031-00 | METAL CHIP 180  | 5% 1/10W        | R470     | 1-216-089-00 | METAL CHIP 47K  | 5% 1/10W        |
| R374     | 1-216-031-00 | METAL CHIP 180  | 5% 1/10W        | R471     | 1-216-001-00 | METAL CHIP 10   | 5% 1/10W        |
| R375     | 1-216-081-00 | METAL CHIP 22K  | 5% 1/10W        | R472     | 1-216-075-00 | METAL CHIP 12K  | 5% 1/10W        |
| R376     | 1-216-121-00 | METAL CHIP 1M   | 5% 1/10W        | R473     | 1-216-041-00 | METAL CHIP 470  | 5% 1/10W        |
| R377     | 1-216-085-00 | METAL CHIP 33K  | 5% 1/10W        | R475     | 1-216-025-00 | METAL CHIP 100  | 5% 1/10W        |
| R378     | 1-216-025-00 | METAL CHIP 100  | 5% 1/10W        | R476     | 1-216-089-00 | METAL CHIP 47K  | 5% 1/10W        |
| R379     | 1-216-025-00 | METAL CHIP 100  | 5% 1/10W        | R477     | 1-216-089-00 | METAL CHIP 47K  | 5% 1/10W        |
| R380     | 1-216-025-00 | METAL CHIP 100  | 5% 1/10W        | R478     | 1-216-089-00 | METAL CHIP 47K  | 5% 1/10W(H3600) |
| R381     | 1-216-025-00 | METAL CHIP 100  | 5% 1/10W        | R479     | 1-216-089-00 | METAL CHIP 47K  | 5% 1/10W(H3600) |
| R401     | 1-216-049-00 | METAL CHIP 1K   | 5% 1/10W(H3600) | R480     | 1-216-089-00 | METAL CHIP 47K  | 5% 1/10W(H2600) |
| R402     | 1-216-049-00 | METAL CHIP 1K   | 5% 1/10W        | R493     | 1-216-073-00 | METAL CHIP 10K  | 5% 1/10W        |
| R403     | 1-216-049-00 | METAL CHIP 1K   | 5% 1/10W        | R494     | 1-216-073-00 | METAL CHIP 10K  | 5% 1/10W        |
| R404     | 1-216-041-00 | METAL CHIP 470  | 5% 1/10W(H3600) | R495     | 1-216-081-00 | METAL CHIP 22K  | 5% 1/10W        |
| R405     | 1-216-041-00 | METAL CHIP 470  | 5% 1/10W        | R496     | 1-216-081-00 | METAL CHIP 22K  | 5% 1/10W        |
| R407     | 1-216-115-00 | METAL CHIP 560K | 5% 1/10W(H3600) | R500     | 1-216-065-00 | METAL CHIP 4.7K | 5% 1/10W        |
| R408     | 1-216-115-00 | METAL CHIP 560K | 5% 1/10W        | R501     | 1-216-033-00 | METAL CHIP 220  | 5% 1/10W        |
| R409     | 1-216-115-00 | METAL CHIP 560K | 5% 1/10W        | R502     | 1-216-041-00 | METAL CHIP 470  | 5% 1/10W        |
| R410     | 1-216-115-00 | METAL CHIP 560K | 5% 1/10W(H3600) | R503     | 1-216-041-00 | METAL CHIP 470  | 5% 1/10W        |
| R411     | 1-216-115-00 | METAL CHIP 560K | 5% 1/10W        | R504     | 1-216-089-00 | METAL CHIP 47K  | 5% 1/10W        |
| R413     | 1-216-295-00 | METAL CHIP 0    | 5% 1/10W(H3600) | R505     | 1-216-089-00 | METAL CHIP 47K  | 5% 1/10W        |
| R414     | 1-216-061-00 | METAL CHIP 3.3K | 5% 1/10W        | R601     | 1-216-081-00 | METAL CHIP 22K  | 5% 1/10W        |
| R415     | 1-216-049-00 | METAL CHIP 1K   | 5% 1/10W        | R602     | 1-216-081-00 | METAL CHIP 22K  | 5% 1/10W        |
| R417     | 1-216-089-00 | METAL CHIP 47K  | 5% 1/10W        | R603     | 1-216-057-00 | METAL CHIP 2.2K | 5% 1/10W        |
| R418     | 1-216-049-00 | METAL CHIP 1K   | 5% 1/10W        | R605     | 1-216-081-00 | METAL CHIP 22K  | 5% 1/10W        |
| R419     | 1-216-115-00 | METAL CHIP 560K | 5% 1/10W        | R606     | 1-216-081-00 | METAL CHIP 22K  | 5% 1/10W        |
| R420     | 1-216-089-00 | METAL CHIP 47K  | 5% 1/10W        | R607     | 1-216-081-00 | METAL CHIP 22K  | 5% 1/10W        |
| R421     | 1-216-001-00 | METAL CHIP 10   | 5% 1/10W        | R608     | 1-216-049-00 | METAL CHIP 1K   | 5% 1/10W        |
| R422     | 1-216-075-00 | METAL CHIP 12K  | 5% 1/10W        | R609     | 1-216-083-00 | METAL CHIP 27K  | 5% 1/10W        |
| R423     | 1-216-041-00 | METAL CHIP 470  | 5% 1/10W        | R610     | 1-216-082-00 | METAL GLAZE 24K | 5% 1/10W        |
| R425     | 1-216-025-00 | METAL CHIP 100  | 5% 1/10W        | R611     | 1-216-081-00 | METAL CHIP 22K  | 5% 1/10W        |
| R426     | 1-216-089-00 | METAL CHIP 47K  | 5% 1/10W        | R612     | 1-216-081-00 | METAL CHIP 22K  | 5% 1/10W        |

**MAIN**    **PANEL**    **PIN JACK**    **POWER**

| Ref. No. | Part No.     | Description              | Remark | Ref. No. | Part No.       | Description                      | Remark |
|----------|--------------|--------------------------|--------|----------|----------------|----------------------------------|--------|
| R613     | 1-216-121-00 | METAL CHIP 1M 5% 1/10W   |        | R681     | 1-216-090-00   | METAL CHIP 51K 5% 1/10W          |        |
| R614     | 1-216-121-00 | METAL CHIP 1M 5% 1/10W   |        | R682     | 1-216-025-00   | METAL CHIP 100 5% 1/10W          |        |
| R615     | 1-216-057-00 | METAL CHIP 2.2K 5% 1/10W |        | R686     | 1-216-077-00   | METAL CHIP 15K 5% 1/10W          |        |
| R616     | 1-216-097-00 | METAL CHIP 100K 5% 1/10W |        | R687     | 1-216-077-00   | METAL CHIP 15K 5% 1/10W          |        |
| R617     | 1-216-097-00 | METAL CHIP 100K 5% 1/10W |        | R690     | 1-216-025-00   | METAL CHIP 100 5% 1/10W          |        |
| R618     | 1-216-097-00 | METAL CHIP 100K 5% 1/10W |        | R691     | 1-216-065-00   | METAL CHIP 4.7K 5% 1/10W         |        |
| R619     | 1-216-065-00 | METAL CHIP 4.7K 5% 1/10W |        | R692     | 1-216-081-00   | METAL CHIP 22K 5% 1/10W          |        |
| R620     | 1-216-097-00 | METAL CHIP 100K 5% 1/10W |        | R693     | 1-216-025-00   | METAL CHIP 100 5% 1/10W          |        |
| R621     | 1-216-065-00 | METAL CHIP 4.7K 5% 1/10W |        | R696     | 1-216-081-00   | METAL CHIP 22K 5% 1/10W          |        |
| R623     | 1-216-113-00 | METAL CHIP 470K 5% 1/10W |        | R699     | 1-216-081-00   | METAL CHIP 22K 5% 1/10W          |        |
| R624     | 1-216-039-00 | METAL CHIP 390 5% 1/10W  |        | R700     | 1-216-073-00   | METAL CHIP 10K 5% 1/10W          |        |
| R625     | 1-216-064-00 | METAL CHIP 4.3K 5% 1/10W |        | R5001    | 1-216-025-00   | METAL CHIP 100 5% 1/10W          |        |
| R626     | 1-216-073-00 | METAL CHIP 10K 5% 1/10W  |        | R5002    | 1-216-025-00   | METAL CHIP 100 5% 1/10W          |        |
| R628     | 1-216-073-00 | METAL CHIP 10K 5% 1/10W  |        | R6001    | 1-216-073-00   | METAL CHIP 10K 5% 1/10W          |        |
| R629     | 1-216-057-00 | METAL CHIP 2.2K 5% 1/10W |        | R6004    | 1-216-089-00   | METAL CHIP 47K 5% 1/10W          |        |
| R630     | 1-216-081-00 | METAL CHIP 22K 5% 1/10W  |        | R6005    | 1-216-089-00   | METAL CHIP 47K 5% 1/10W          |        |
| R631     | 1-216-081-00 | METAL CHIP 22K 5% 1/10W  |        | R6010    | 1-216-049-00   | METAL CHIP 1K 5% 1/10W           |        |
| R634     | 1-216-081-00 | METAL CHIP 22K 5% 1/10W  |        | R6011    | 1-216-298-00   | METAL CHIP 2.2 5% 1/10W          |        |
| R635     | 1-216-081-00 | METAL CHIP 22K 5% 1/10W  |        | R6012    | 1-216-298-00   | METAL CHIP 2.2 5% 1/10W          |        |
| R636     | 1-216-081-00 | METAL CHIP 22K 5% 1/10W  |        | R6013    | 1-216-298-00   | METAL CHIP 2.2 5% 1/10W          |        |
| R637     | 1-216-081-00 | METAL CHIP 22K 5% 1/10W  |        | R6014    | 1-216-298-00   | METAL CHIP 2.2 5% 1/10W          |        |
| R638     | 1-216-081-00 | METAL CHIP 22K 5% 1/10W  |        | R6015    | 1-216-298-00   | METAL CHIP 2.2 5% 1/10W          |        |
| R639     | 1-216-057-00 | METAL CHIP 2.2K 5% 1/10W |        | R6016    | 1-216-298-00   | METAL CHIP 2.2 5% 1/10W          |        |
| R640     | 1-216-057-00 | METAL CHIP 2.2K 5% 1/10W |        | R6017    | 1-216-298-00   | METAL CHIP 2.2 5% 1/10W          |        |
| R641     | 1-216-065-00 | METAL CHIP 4.7K 5% 1/10W |        | R6018    | 1-216-298-00   | METAL CHIP 2.2 5% 1/10W          |        |
| R642     | 1-216-089-00 | METAL CHIP 47K 5% 1/10W  |        |          |                | < VARIABLE RESISTOR >            |        |
| R643     | 1-216-089-00 | METAL CHIP 47K 5% 1/10W  |        | RV101    | 1-238-547-11   | RES, ADJ, CARBON 10K             |        |
| R644     | 1-216-025-00 | METAL CHIP 100 5% 1/10W  |        | RV201    | 1-238-547-11   | RES, ADJ, CARBON 10K             |        |
| R645     | 1-216-089-00 | METAL CHIP 47K 5% 1/10W  |        |          |                | < SWITCH >                       |        |
| R646     | 1-216-081-00 | METAL CHIP 22K 5% 1/10W  |        | S901     | 1-554-303-21   | SWITCH, TACTILE (CD SYNCHRO)     |        |
| R647     | 1-216-025-00 | METAL CHIP 100 5% 1/10W  |        | S902     | 1-554-303-21   | SWITCH, TACTILE (▶▶)             |        |
| R648     | 1-216-025-00 | METAL CHIP 100 5% 1/10W  |        | S903     | 1-554-303-21   | SWITCH, TACTILE (◀◀)             |        |
| R649     | 1-216-025-00 | METAL CHIP 100 5% 1/10W  |        | S904     | 1-554-303-21   | SWITCH, TACTILE (● REC)          |        |
| R650     | 1-216-121-00 | METAL CHIP 1M 5% 1/10W   |        | S905     | 1-554-303-21   | SWITCH, TACTILE (DECK B)         |        |
| R651     | 1-216-081-00 | METAL CHIP 22K 5% 1/10W  |        | S906     | 1-554-303-21   | SWITCH, TACTILE (DECK A)         |        |
| R652     | 1-216-081-00 | METAL CHIP 22K 5% 1/10W  |        | S907     | 1-554-303-21   | SWITCH, TACTILE (COUNTER RESET)  |        |
| R653     | 1-216-073-00 | METAL CHIP 10K 5% 1/10W  |        | S908     | 1-554-303-21   | SWITCH, TACTILE (DOLBY NR)       |        |
| R654     | 1-216-073-00 | METAL CHIP 10K 5% 1/10W  |        | S909     | 1-554-303-21   | SWITCH, TACTILE (DUBBING MODE)   |        |
| R655     | 1-216-121-00 | METAL CHIP 1M 5% 1/10W   |        | S910     | 1-554-303-21   | SWITCH, TACTILE (■)              |        |
| R656     | 1-216-073-00 | METAL CHIP 10K 5% 1/10W  |        | S911     | 1-554-303-21   | SWITCH, TACTILE (◀◁)             |        |
| R661     | 1-216-083-00 | METAL CHIP 27K 5% 1/10W  |        | S912     | 1-554-303-21   | SWITCH, TACTILE (▷▷)             |        |
| R662     | 1-216-083-00 | METAL CHIP 27K 5% 1/10W  |        | S913     | 1-554-303-21   | SWITCH, TACTILE (   PAUSE)       |        |
| R663     | 1-216-073-00 | METAL CHIP 10K 5% 1/10W  |        | S914     | 1-554-303-21   | SWITCH, TACTILE (○ MUTE)         |        |
| R664     | 1-216-045-00 | METAL CHIP 680 5% 1/10W  |        | S915     | 1-554-303-21   | SWITCH, TACTILE (DIRECTION MODE) |        |
| R665     | 1-216-073-00 | METAL CHIP 10K 5% 1/10W  |        |          |                | < TRANSFORMER >                  |        |
| R666     | 1-216-045-00 | METAL CHIP 680 5% 1/10W  |        | T601     | 1-450-458-11   | TRANSFORMER, DC-DC CONVERTER     |        |
| R667     | 1-216-025-00 | METAL CHIP 100 5% 1/10W  |        |          |                | < TEST PIN >                     |        |
| R668     | 1-216-090-00 | METAL CHIP 51K 5% 1/10W  |        | TP601    | * 1-564-718-11 | PIN, CONNECTOR (SMALL TYPE) 2P   |        |
| R669     | 1-216-089-00 | METAL CHIP 47K 5% 1/10W  |        | TP6001   | * 1-564-517-11 | PLUG, CONNECTOR 2P               |        |
| R670     | 1-216-084-00 | METAL GLAZE 30K 5% 1/10W |        |          |                | < CRYSTAL >                      |        |
| R671     | 1-216-090-00 | METAL CHIP 51K 5% 1/10W  |        | X401     | 1-577-077-11   | OSCILLATOR, CERAMIC 400KHz       |        |
| R672     | 1-216-065-00 | METAL CHIP 4.7K 5% 1/10W |        | X601     | 1-577-358-21   | VIBRATOR, CERAMIC 4MHz           |        |
| R673     | 1-216-080-00 | METAL CHIP 20K 5% 1/10W  |        | X951     | 1-577-101-11   | VIBRATOR, CERAMIC 4.19MHz        |        |
| R674     | 1-216-083-00 | METAL CHIP 27K 5% 1/10W  |        |          |                | *****                            |        |
| R675     | 1-216-080-00 | METAL CHIP 20K 5% 1/10W  |        |          |                |                                  |        |
| R676     | 1-216-065-00 | METAL CHIP 4.7K 5% 1/10W |        |          |                |                                  |        |
| R677     | 1-216-089-00 | METAL CHIP 47K 5% 1/10W  |        |          |                |                                  |        |
| R678     | 1-216-084-00 | METAL GLAZE 30K 5% 1/10W |        |          |                |                                  |        |
| R679     | 1-216-083-00 | METAL CHIP 27K 5% 1/10W  |        |          |                |                                  |        |
| R680     | 1-216-090-00 | METAL CHIP 51K 5% 1/10W  |        |          |                |                                  |        |

**LEAF SW(A) MD-A LEAF SW(B)**

| Ref. No. | Part No.       | Description                                   | Remark |
|----------|----------------|---|--------|
|          | * 1-634-841-11 | LEAF SW(A)BOARD<br>*****                      |        |
|          | 3-343-419-01   | HOLDER (S SENSOR A)<br>< CONNECTOR >          |        |
| CNP81    | * 1-568-852-11 | SOCKET, CONNECTOR 9P<br>< IC >                |        |
| IC81A    | 8-719-710-03   | IC PHOTO REFLECTOR NJL5165K-B<br>< RESISTOR > |        |
| R84      | 1-249-417-11   | CARBON 1K 5% 1/4W                             |        |
| R85      | 1-249-408-11   | CARBON 180 5% 1/4W<br>< SWITCH >              |        |
| S81      | 1-571-958-11   | SWITCH, PUSH (1 KEY) (A. STOP DET)            |        |
| S82      | 1-571-281-21   | SWITCH, LEAF (A. CrO2 DET)                    |        |
| S86      | 1-571-281-21   | SWITCH, LEAF (A. HALF DET)                    |        |
| *****    |                |   |        |
|          | * A-2006-399-A | MD-A BOARD<br>*****<br>< CAPACITOR >          |        |
| C11      | 1-163-131-00   | CERAMIC CHIP 390PF 5% 50V                     |        |
| C12      | 1-136-157-00   | FILM 0.022uF 5% 50V                           |        |
| C13      | 1-124-234-00   | ELECT 22uF 20% 16V                            |        |
| C18      | 1-163-117-00   | CERAMIC CHIP 100PF 5% 50V                     |        |
| C21      | 1-163-131-00   | CERAMIC CHIP 390PF 5% 50V                     |        |
| C22      | 1-136-157-00   | FILM 0.022uF 5% 50V                           |        |
| C23      | 1-124-234-00   | ELECT 22uF 20% 16V                            |        |
| C28      | 1-163-117-00   | CERAMIC CHIP 100PF 5% 50V                     |        |
| C31      | 1-124-234-00   | ELECT 22uF 20% 16V                            |        |
| C32      | 1-124-234-00   | ELECT 22uF 20% 16V                            |        |
| C71      | 1-164-346-11   | CERAMIC CHIP 1uF 16V<br>< CONNECTOR >         |        |
| CNJ31    | * 1-580-782-11 | SOCKET, CONNECTOR                             |        |
| CNP32    | * 1-580-772-11 | PIN, CONNECTOR (PC BOARD) 4P                  |        |
| CNP71    | * 1-564-719-11 | PIN, CONNECTOR (SMALL TYPE) 3P                |        |
| CNP72    | * 1-580-411-11 | SOCKET, CONNECTOR 4P<br>< IC >                |        |
| IC31A    | 8-759-970-66   | IC LM833M<br>< JUMPER >                       |        |
| JW1      | 1-216-295-00   | METAL CHIP 0 5% 1/10W                         |        |
| JW51     | 1-216-296-00   | METAL CHIP 0 5% 1/8W                          |        |
| JW52     | 1-216-296-00   | METAL CHIP 0 5% 1/8W                          |        |
| JW53     | 1-216-296-00   | METAL CHIP 0 5% 1/8W                          |        |
| JW54     | 1-216-296-00   | METAL CHIP 0 5% 1/8W                          |        |

| Ref. No. | Part No.       | Description                                   | Remark |
|----------|----------------|---|--------|
|          |                | < TRANSISTOR >                                |        |
| Q71A     | 8-729-602-36   | TRANSISTOR 2SA1602<br>< RESISTOR >            |        |
| R11      | 1-216-099-00   | METAL CHIP 120K 5% 1/10W                      |        |
| R12      | 1-216-025-00   | METAL CHIP 100 5% 1/10W                       |        |
| R13      | 1-216-100-00   | METAL GLAZE 130K 5% 1/10W                     |        |
| R14      | 1-216-067-00   | METAL CHIP 5.6K 5% 1/10W                      |        |
| R21      | 1-216-099-00   | METAL CHIP 120K 5% 1/10W                      |        |
| R22      | 1-216-025-00   | METAL CHIP 100 5% 1/10W                       |        |
| R23      | 1-216-100-00   | METAL GLAZE 130K 5% 1/10W                     |        |
| R24      | 1-216-067-00   | METAL CHIP 5.6K 5% 1/10W                      |        |
| R31      | 1-216-033-00   | METAL CHIP 220 5% 1/10W                       |        |
| R32      | 1-216-033-00   | METAL CHIP 220 5% 1/10W                       |        |
| R71      | 1-216-082-00   | METAL GLAZE 24K 5% 1/10W                      |        |
| R72      | 1-216-081-00   | METAL CHIP 22K 5% 1/10W                       |        |
| R73      | 1-216-089-00   | METAL CHIP 47K 5% 1/10W                       |        |
| R74      | 1-216-089-00   | METAL CHIP 47K 5% 1/10W                       |        |
|          |                | < VARIABLE RESISTOR >                         |        |
| RV11A    | 1-238-012-11   | RES, ADJ, CARBON 1K                           |        |
| RV21A    | 1-238-012-11   | RES, ADJ, CARBON 1K                           |        |
| RV71A    | 1-238-016-11   | RES, ADJ, CARBON 10K                          |        |
| RV72A    | 1-238-016-11   | RES, ADJ, CARBON 10K                          |        |
| *****    |                |   |        |
|          | * 1-634-841-11 | LEAF SW(B) BOARD<br>*****                     |        |
|          | 3-343-419-01   | HOLDER (S SENSOR A)<br>< CONNECTOR >          |        |
| CNP81    | * 1-568-852-11 | SOCKET, CONNECTOR 9P<br>< IC >                |        |
| IC81B    | 8-719-710-03   | IC PHOTO REFLECTOR NJL5165K-B<br>< RESISTOR > |        |
| R81      | 1-249-414-11   | CARBON 560 5% 1/4W                            |        |
| R82      | 1-247-818-11   | CARBON 300 5% 1/4W                            |        |
| R83      | 1-247-834-11   | CARBON 1.3K 5% 1/4W                           |        |
| R84      | 1-249-417-11   | CARBON 1K 5% 1/4W                             |        |
| R85      | 1-249-408-11   | CARBON 180 5% 1/4W<br>< SWITCH >              |        |
| S81      | 1-571-958-11   | SWITCH, PUSH (1 KEY) (B. STOP DET)            |        |
| S82      | 1-571-281-21   | SWITCH, LEAF (B. CrO2 DET)                    |        |
| S83      | 1-571-281-21   | SWITCH, LEAF (B. METAL DET)                   |        |
| S84      | 1-571-281-21   | SWITCH, LEAF (B. ERASE PROOF SIDE A)          |        |
| S85      | 1-571-281-21   | SWITCH, LEAF (B. ERASE PROOF SIDE B)          |        |
| S86      | 1-571-281-21   | SWITCH, LEAF (B. HALF DET)                    |        |
| *****    |                |   |        |

**MD-B**

| Ref. No. | Part No.       | Description                    | Remark |
|----------|----------------|--------------------------------|--------|
|          | * A-2006-400-A | MD-B BOARD<br>*****            |        |
|          |                | < CAPACITOR >                  |        |
| C11      | 1-163-131-00   | CERAMIC CHIP 390PF 5% 50V      |        |
| C12      | 1-136-157-00   | FILM 0.022uF 5% 50V            |        |
| C13      | 1-124-234-00   | ELECT 22uF 20% 16V             |        |
| C14      | 1-136-273-91   | FILM 75PF 5% 630V              |        |
| C15      | 1-164-080-11   | CERAMIC 390PF 10% 50V          |        |
| C17      | 1-163-103-00   | CERAMIC CHIP 27PF 5% 50V       |        |
| C18      | 1-163-117-00   | CERAMIC CHIP 100PF 5% 50V      |        |
| C21      | 1-163-131-00   | CERAMIC CHIP 390PF 5% 50V      |        |
| C22      | 1-136-157-00   | FILM 0.022uF 5% 50V            |        |
| C23      | 1-124-234-00   | ELECT 22uF 20% 16V             |        |
| C24      | 1-136-273-91   | FILM 75PF 5% 630V              |        |
| C25      | 1-164-080-11   | CERAMIC 390PF 10% 50V          |        |
| C27      | 1-163-103-00   | CERAMIC CHIP 27PF 5% 50V       |        |
| C28      | 1-163-117-00   | CERAMIC CHIP 100PF 5% 50V      |        |
| C31      | 1-124-234-00   | ELECT 22uF 20% 16V             |        |
| C32      | 1-124-234-00   | ELECT 22uF 20% 16V             |        |
| C33      | 1-124-234-00   | ELECT 22uF 20% 16V             |        |
| C51      | 1-163-019-00   | CERAMIC CHIP 0.0068uF 10% 50V  |        |
| C52      | 1-163-019-00   | CERAMIC CHIP 0.0068uF 10% 50V  |        |
| C53      | 1-163-022-00   | CERAMIC CHIP 0.012uF 10% 50V   |        |
| C54      | 1-136-559-11   | FILM 0.0047uF 5% 630V          |        |
| C56      | 1-164-505-11   | CERAMIC CHIP 2.2uF 16V         |        |
| C57      | 1-164-346-11   | CERAMIC CHIP 1uF 16V           |        |
| C58      | 1-163-117-00   | CERAMIC CHIP 100PF 5% 50V      |        |
| C71      | 1-164-346-11   | CERAMIC CHIP 1uF 16V           |        |
|          |                | < CONNECTOR >                  |        |
| CNJ31    | * 1-580-782-11 | SOCKET, CONNECTOR              |        |
| CNJ33    | * 1-580-782-11 | SOCKET, CONNECTOR              |        |
| CNP32    | * 1-580-781-11 | PIN, CONNECTOR (PC BOARD) 7P   |        |
| CNP71    | * 1-564-719-11 | PIN, CONNECTOR (SMALL TYPE) 3P |        |
| CNP72    | * 1-580-411-11 | SOCKET, CONNECTOR 4P           |        |
|          |                | < DIODE >                      |        |
| D31      | 8-719-988-62   | DIODE 1SS355                   |        |
|          |                | < IC >                         |        |
| IC31B    | 8-759-970-66   | IC LM833M                      |        |
|          |                | < JUMPER >                     |        |
| JW1      | 1-216-296-00   | METAL CHIP 0 5% 1/8W           |        |
| JW2      | 1-216-295-00   | METAL CHIP 0 5% 1/10W          |        |
| JW3      | 1-216-295-00   | METAL CHIP 0 5% 1/10W          |        |
| JW4      | 1-216-295-00   | METAL CHIP 0 5% 1/10W          |        |
| JW5      | 1-216-295-00   | METAL CHIP 0 5% 1/10W          |        |
| JW6      | 1-216-295-00   | METAL CHIP 0 5% 1/10W          |        |
| JW7      | 1-216-295-00   | METAL CHIP 0 5% 1/10W          |        |
| JW52     | 1-216-296-00   | METAL CHIP 0 5% 1/8W           |        |
| JW53     | 1-216-296-00   | METAL CHIP 0 5% 1/8W           |        |
| JW54     | 1-216-296-00   | METAL CHIP 0 5% 1/8W           |        |
| JW55     | 1-216-296-00   | METAL CHIP 0 5% 1/8W           |        |
| JW56     | 1-216-296-00   | METAL CHIP 0 5% 1/8W           |        |
| JW57     | 1-216-296-00   | METAL CHIP 0 5% 1/8W           |        |
| JW58     | 1-216-296-00   | METAL CHIP 0 5% 1/8W           |        |
| JW59     | 1-216-296-00   | METAL CHIP 0 5% 1/8W           |        |

| Ref. No. | Part No.       | Description               | Remark |
|----------|----------------|---------------------------|--------|
| JW60     | 1-216-296-00   | METAL CHIP 0 5% 1/8W      |        |
| JW61     | 1-216-296-00   | METAL CHIP 0 5% 1/8W      |        |
|          |                | < COIL >                  |        |
| L11      | 1-410-780-11   | INDUCTOR 27mH             |        |
| L21      | 1-410-780-11   | INDUCTOR 27mH             |        |
|          |                | < TRANSISTOR >            |        |
| Q51      | 8-729-808-01   | TRANSISTOR 2SD1622-S      |        |
| Q52      | 8-729-808-01   | TRANSISTOR 2SD1622-S      |        |
| Q53      | 8-729-808-01   | TRANSISTOR 2SD1622-S      |        |
| Q71B     | 8-729-602-36   | TRANSISTOR 2SA1602        |        |
|          |                | < RESISTOR >              |        |
| R11      | 1-216-099-00   | METAL CHIP 120K 5% 1/10W  |        |
| R12      | 1-216-025-00   | METAL CHIP 100 5% 1/10W   |        |
| R13      | 1-216-100-00   | METAL GLAZE 130K 5% 1/10W |        |
| R14      | 1-216-067-00   | METAL CHIP 5.6K 5% 1/10W  |        |
| R15      | △ 1-249-430-11 | CARBON 12K 5% 1/4W        |        |
| R21      | 1-216-099-00   | METAL CHIP 120K 5% 1/10W  |        |
| R22      | 1-216-025-00   | METAL CHIP 100 5% 1/10W   |        |
| R23      | 1-216-100-00   | METAL GLAZE 130K 5% 1/10W |        |
| R24      | 1-216-067-00   | METAL CHIP 5.6K 5% 1/10W  |        |
| R25      | △ 1-249-430-11 | CARBON 12K 5% 1/4W        |        |
| R31      | 1-216-033-00   | METAL CHIP 220 5% 1/10W   |        |
| R32      | 1-216-033-00   | METAL CHIP 220 5% 1/10W   |        |
| R41      | △ 1-249-393-11 | CARBON 10 5% 1/4W         |        |
| R42      | △ 1-249-393-11 | CARBON 10 5% 1/4W         |        |
| R51      | 1-216-075-00   | METAL CHIP 12K 5% 1/10W   |        |
| R52      | 1-216-075-00   | METAL CHIP 12K 5% 1/10W   |        |
| R53      | 1-216-073-00   | METAL CHIP 10K 5% 1/10W   |        |
| R54      | 1-216-309-00   | METAL CHIP 5.6 5% 1/10W   |        |
| R55      | 1-216-309-00   | METAL CHIP 5.6 5% 1/10W   |        |
| R56      | 1-216-298-00   | METAL CHIP 2.2 5% 1/10W   |        |
| R71      | 1-216-082-00   | METAL GLAZE 24K 5% 1/10W  |        |
| R72      | 1-216-081-00   | METAL CHIP 22K 5% 1/10W   |        |
| R73      | 1-216-089-00   | METAL CHIP 47K 5% 1/10W   |        |
| R74      | 1-216-089-00   | METAL CHIP 47K 5% 1/10W   |        |
|          |                | < VARIABLE RESISTOR >     |        |
| RV11B    | 1-238-012-11   | RES, ADJ, CARBON 1K       |        |
| RV12     | 1-238-551-11   | RES, ADJ, CARBON 220K     |        |
| RV21B    | 1-238-012-11   | RES, ADJ, CARBON 1K       |        |
| RV22     | 1-238-551-11   | RES, ADJ, CARBON 220K     |        |
| RV71B    | 1-238-016-11   | RES, ADJ, CARBON 10K      |        |
| RV72B    | 1-238-016-11   | RES, ADJ, CARBON 10K      |        |
|          |                | < RELAY >                 |        |
| RY31     | 1-515-726-11   | RELAY                     |        |
|          |                | < COIL >                  |        |
| T51      | 1-406-419-11   | COIL, BIAS OSCILLATION    |        |
| *****    |                |                           |        |

**Note:**  
The components identified by mark △ or dotted line with mark △ are critical for safety. Replace only with part number specified.

**Note:**  
Les composants identifiés par une marque △ sont critiques pour la sécurité. Ne les remplacer que par une pièce portant le numéro spécifié.

| Ref. No. | Part No.     | Description                         | Remark |
|----------|--------------|-------------------------------------|--------|
|          |              | MISCELLANEOUS<br>*****              |        |
| 117      | 1-638-983-11 | PC BOARD, MOTOR FLEXIBLE            |        |
| HP101    | A-2003-868-B | BASE ASSY, HEAD (DECK A)            |        |
| HRP101   | A-2003-838-A | BASE ASSY, HEAD (DECK B)            |        |
| M101A    | A-2003-474-A | MOTOR (REEL MOTOR) ASSY (DECK A)    |        |
| M101B    | A-2003-474-A | MOTOR (REEL MOTOR) ASSY (DECK B)    |        |
| M102A    | X-3359-417-1 | MOTOR (CAPSTAN MOTOR) ASSY (DECK A) |        |
| M102B    | X-3359-417-1 | MOTOR (CAPSTAN MOTOR) ASSY (DECK B) |        |

\*\*\*\*\*

**HARDWARE LIST**

\*\*\*\*\*

|     |              |                             |
|-----|--------------|-----------------------------|
| # 1 | 7-685-646-79 | SCREW +BVTP 3X8 TYPE2 N-S   |
| # 2 | 7-621-255-15 | SCREW +PTT 2X3 (S)          |
| # 3 | 7-685-134-19 | SCREW +BTP 2. 6X8 TYPE2 N-S |
| # 4 | 7-621-770-67 | SCREW +PTT 2. 6X6 (S)       |
| # 5 | 7-627-556-08 | SCREW +P 2. 6X2. 8          |
| # 6 | 7-621-775-00 | SCREW +B 2. 6X3             |
| # 7 | 7-682-548-04 | +BVTT 3X8 (S)               |

# TC-H2600 / H3600

---

## SONY<sup>®</sup> SERVICE MANUAL

*AEP Model*

*UK Model*

*E Model*

*Australian Model*

*TC-H2600*

*TC-H3600*

*US Model*

*Canadian Model*

*TC-H3600*

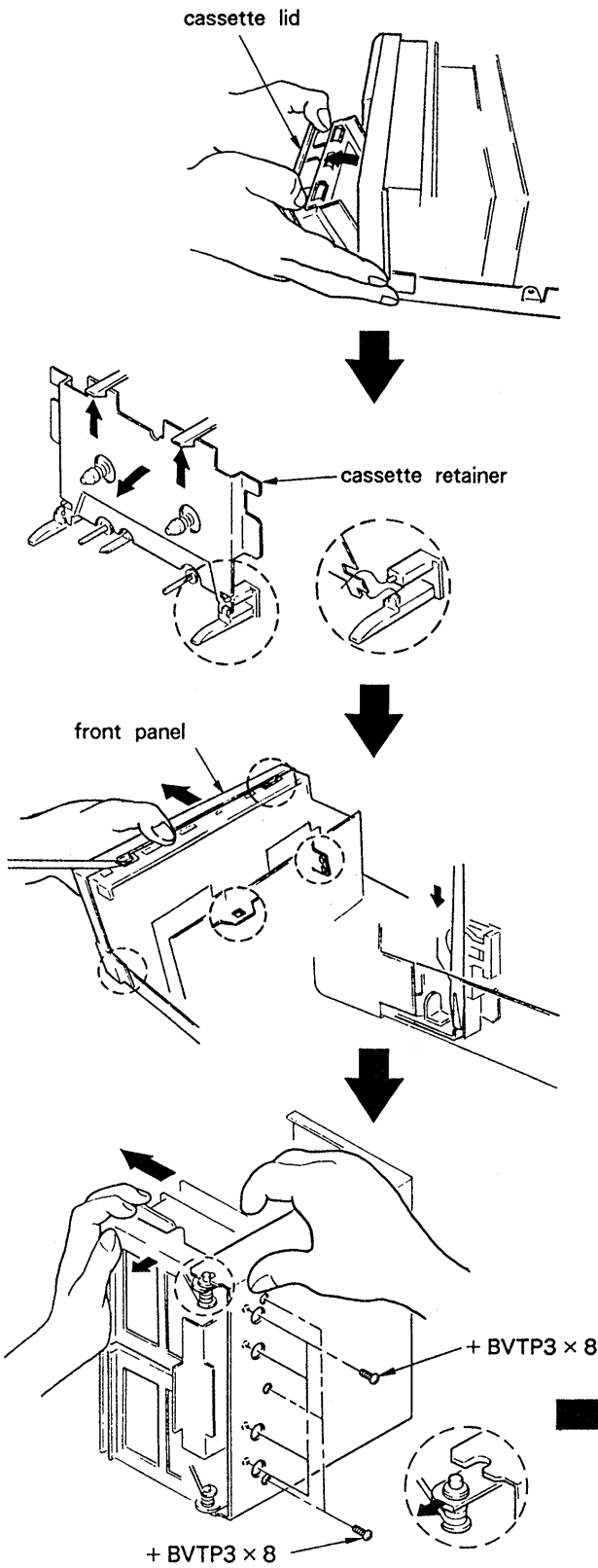
## SUPPLEMENT-1

File this supplement with service manual.

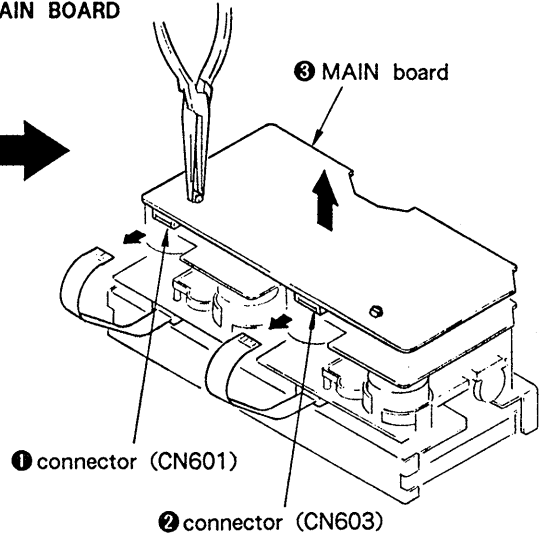
Subject : Disassembly

NOTE: Follow the disassembly procedure in the numerical order given.

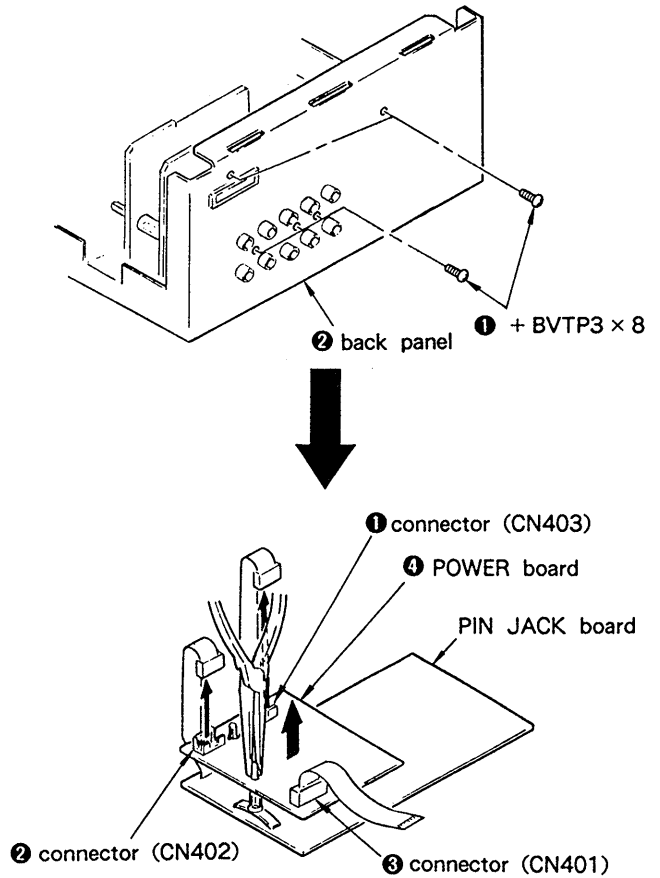
• FRONT PANEL



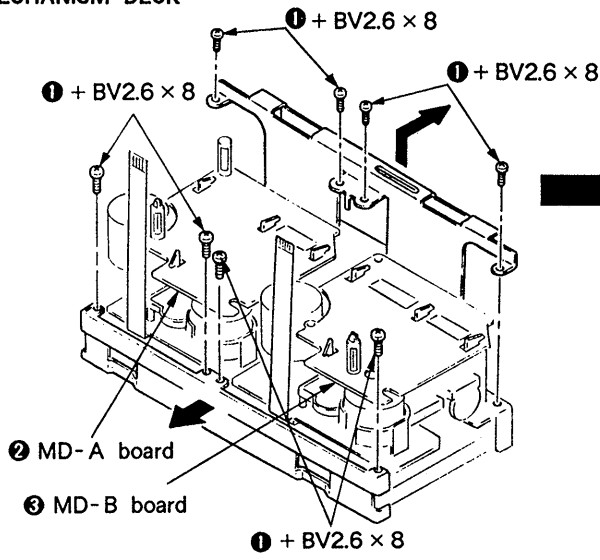
• MAIN BOARD



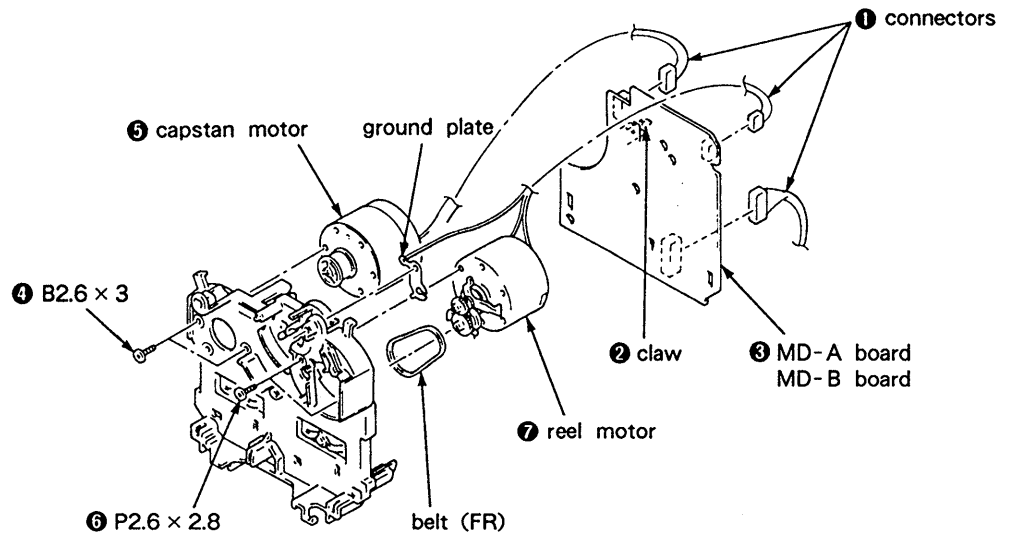
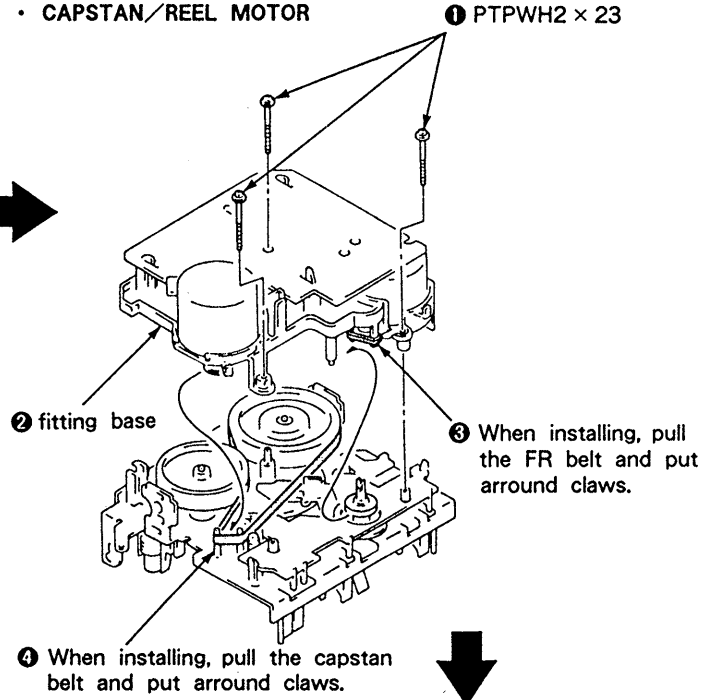
• PIN JACK/POWER BOARD



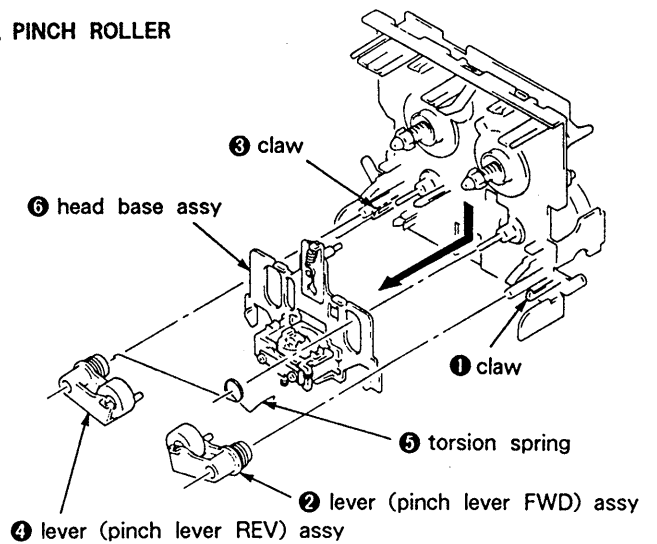
• MECHANISM DECK



• CAPSTAN/REEL MOTOR



• HEAD, PINCH ROLLER







# TC-H2600/H3600

## SONY<sup>®</sup> SERVICE MANUAL

*AEP Model*  
*UK Model*  
*E Model*  
*Australian Model*

TC-H2600  
TC-H3600

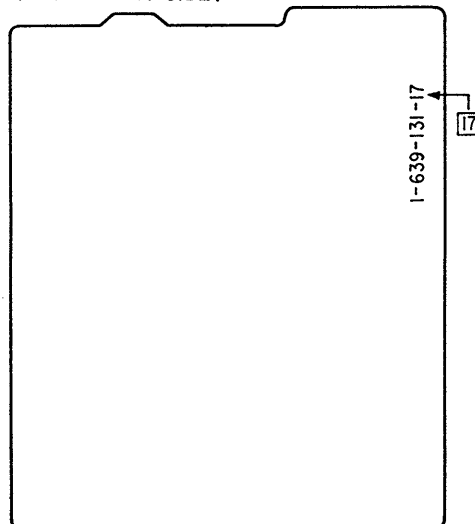
*US Model*  
*Canadian Model*  
TC-H3600

## SUPPLEMENT-2

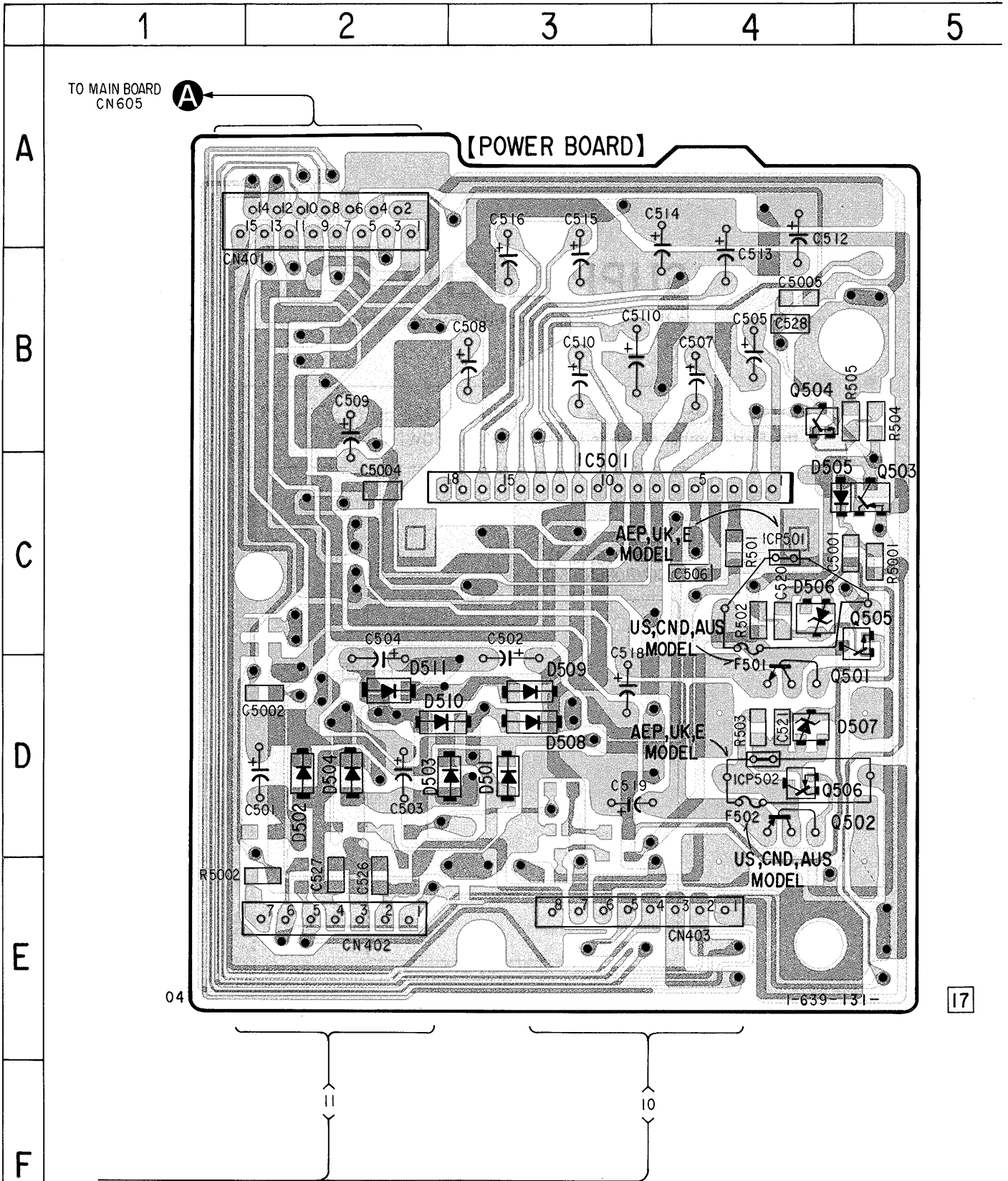
File this supplement with the Service Manual.

Refer to supplement-2 for sets with the last two digits of “-17” in the Part number which is indicated on the POWER board

[POWER BOARD]  
(COMPONENT SIDE)



PRINTED WIRING BOARD —POWER BOARD—



17

Note:

- ● : Through hole.
- : Pattern on the side which is seen.
- : Pattern of the rear side.
- CND: Canadian model
- AUS: Australian model



**ELECTRICAL PARTS LIST**

NOTE:

- Due to standardization, replacements in the parts list may be different from the parts specified in the diagrams or the components used on the set.
- -XX and -X mean standardized parts, so they may have some difference from the original one.
- RESISTORS  
All resistors are in ohms.  
METAL: Metal-film resistor.  
METAL OXIDE: Metal oxide-film resistor.  
F: nonflammable

- Items marked "\*" are not stocked since they are seldom required for routine service. Some delay should be anticipated when ordering these items.
- SEMICONDUCTORS  
In each case, u:  $\mu$ , for example:  
uA.:  $\mu$ A. uPA.:  $\mu$ PA.  
uPB.:  $\mu$ PB. uPC.:  $\mu$ PC. uPD.:  $\mu$ PD.
- CAPACITORS  
uF:  $\mu$ F
- COILS  
uH:  $\mu$ H

The components identified by mark  $\Delta$  or dotted line with mark  $\Delta$  are critical for safety. Replace only with part number specified.

Les composants identifiés par une marque  $\Delta$  sont critiques pour la sécurité. Ne les remplacer que par une pièce portant le numéro spécifié.

When indicating parts by reference number, please include the board.

- CND : Canadian model
- AUS : Australian model

| Ref. No.      | Part No.     | Description               | Remark          |
|---------------|--------------|---------------------------|-----------------|
| *             | A-2006-409-A | POWER BOARD, COMPLETE     | (US, CND, AUS)  |
| *             | A-2006-613-A | POWER BOARD, COMPLETE     | (AEP, UK, E)    |
| *****         |              |                           |                 |
| < CAPACITOR > |              |                           |                 |
| C501          | 1-124-556-11 | ELECT                     | 2200uF 20% 16V  |
| C502          | 1-124-556-11 | ELECT                     | 2200uF 20% 16V  |
| C503          | 1-124-360-00 | ELECT                     | 1000uF 20% 16V  |
| C504          | 1-124-556-11 | ELECT                     | 2200uF 20% 16V  |
| C505          | 1-124-907-11 | ELECT                     | 10uF 20% 50V    |
| C506          | 1-163-038-00 | CERAMIC CHIP              | 0.1uF 25V       |
| C507          | 1-124-903-11 | ELECT                     | 1uF 20% 50V     |
| C508          | 1-124-472-11 | ELECT                     | 470uF 20% 10V   |
| C509          | 1-124-472-11 | ELECT                     | 470uF 20% 10V   |
| C510          | 1-124-477-11 | ELECT                     | 47uF 20% 25V    |
| C512          | 1-124-477-11 | ELECT                     | 47uF 20% 25V    |
| C513          | 1-124-903-11 | ELECT                     | 1uF 20% 50V     |
| C514          | 1-124-472-11 | ELECT                     | 470uF 20% 10V   |
| C515          | 1-124-477-11 | ELECT                     | 47uF 20% 25V    |
| C516          | 1-124-903-11 | ELECT                     | 1uF 20% 50V     |
| C518          | 1-124-473-11 | ELECT                     | 1000uF 20% 10V  |
| C519          | 1-124-473-11 | ELECT                     | 1000uF 20% 10V  |
| C520          | 1-163-038-00 | CERAMIC CHIP              | 0.1uF 25V       |
| C521          | 1-163-038-00 | CERAMIC CHIP              | 0.1uF 25V       |
| C526          | 1-163-037-11 | CERAMIC CHIP              | 0.022uF 10% 25V |
| C527          | 1-163-037-11 | CERAMIC CHIP              | 0.022uF 10% 25V |
| C528          | 1-164-232-11 | CERAMIC CHIP              | 0.01uF 50V      |
| C5001         | 1-163-009-11 | CERAMIC CHIP              | 0.001uF 10% 50V |
| C5002         | 1-163-009-11 | CERAMIC CHIP              | 0.001uF 10% 50V |
| C5004         | 1-163-037-11 | CERAMIC CHIP              | 0.022uF 10% 25V |
| C5005         | 1-164-232-11 | CERAMIC CHIP              | 0.01uF 50V      |
| C5110         | 1-124-903-11 | ELECT                     | 1uF 20% 50V     |
| < CONNECTOR > |              |                           |                 |
| * CN401       | 1-568-834-11 | SOCKET, CONNECTOR         | 15P             |
| * CN402       | 1-573-187-11 | PIN, CONNECTOR (PC BOARD) | 7P              |
| * CN403       | 1-573-388-11 | PIN, CONNECTOR (PC BOARD) | 8P              |
| < DIODE >     |              |                           |                 |
| D501          | 8-719-210-33 | DIODE                     | EC10DS2         |

| Ref. No.        | Part No.     | Description      | Remark                   |
|-----------------|--------------|------------------|--------------------------|
| D502            | 8-719-210-33 | DIODE            | EC10DS2                  |
| D503            | 8-719-210-33 | DIODE            | EC10DS2                  |
| D504            | 8-719-210-33 | DIODE            | EC10DS2                  |
| D505            | 8-719-016-74 | DIODE            | 1SS352                   |
| D506            | 8-719-021-77 | DIODE            | UZM8.2Z                  |
| D507            | 8-719-021-77 | DIODE            | UZM8.2Z                  |
| D508            | 8-719-210-33 | DIODE            | EC10DS2                  |
| D509            | 8-719-210-33 | DIODE            | EC10DS2                  |
| D510            | 8-719-210-33 | DIODE            | EC10DS2                  |
| D511            | 8-719-210-33 | DIODE            | EC10DS2                  |
| < FUSE >        |              |                  |                          |
| $\Delta$ F501   | 1-532-780-21 | FUSE, MICRO      | 2.5A 125V (US, CND, AUS) |
| $\Delta$ F502   | 1-532-780-21 | FUSE, MICRO      | 2.5A 125V (US, CND, AUS) |
| < IC >          |              |                  |                          |
| IC501           | 8-759-041-09 | IC               | LA5603-S (US, CND, AUS)  |
| IC501           | 8-759-823-46 | IC               | LA5603 (AEP, UK, E)      |
| < IC LINK >     |              |                  |                          |
| $\Delta$ ICP501 | 1-532-843-11 | LI NK, IC (2.5A) | (AEP, UK, E)             |
| $\Delta$ ICP502 | 1-532-843-11 | LI NK, IC (2.5A) | (AEP, UK, E)             |
| < TRANSISTOR >  |              |                  |                          |
| Q501            | 8-729-209-15 | TRANSISTOR       | 2SD2012                  |
| Q502            | 8-729-141-83 | TRANSISTOR       | 2SA473                   |
| Q503            | 8-729-805-65 | TRANSISTOR       | 2SA1344                  |
| Q504            | 8-729-602-21 | TRANSISTOR       | 2SC4154                  |
| Q505            | 8-729-602-21 | TRANSISTOR       | 2SC4154                  |
| Q506            | 8-729-602-36 | TRANSISTOR       | 2SA1602                  |
| < RESISTOR >    |              |                  |                          |
| R501            | 1-216-033-00 | METAL CHIP       | 220 5% 1/10W             |
| R502            | 1-216-041-00 | METAL CHIP       | 470 5% 1/10W             |
| R503            | 1-216-041-00 | METAL CHIP       | 470 5% 1/10W             |
| R504            | 1-216-089-00 | METAL CHIP       | 47K 5% 1/10W             |
| R505            | 1-216-089-00 | METAL CHIP       | 47K 5% 1/10W             |
| R5001           | 1-216-025-00 | METAL CHIP       | 100 5% 1/10W             |
| R5002           | 1-216-025-00 | METAL CHIP       | 100 5% 1/10W             |

\*\*\*\*\*

